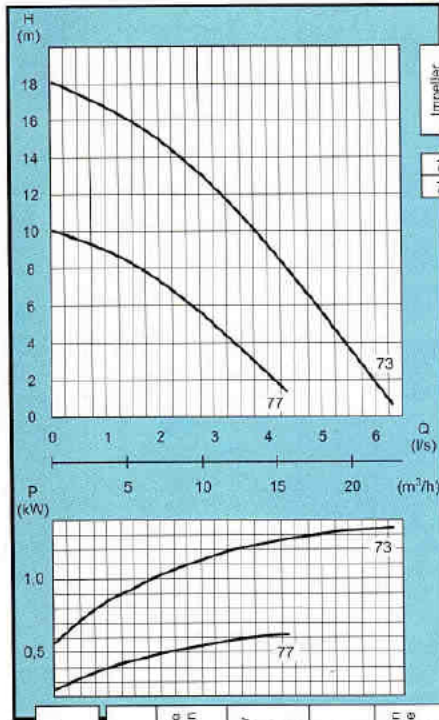


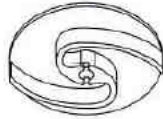
# KONTROL - AKM-01.



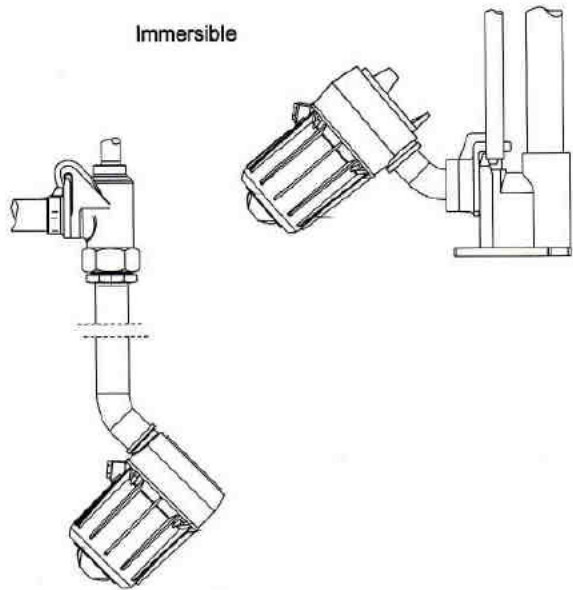
Maximum control - Minimum costs



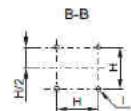
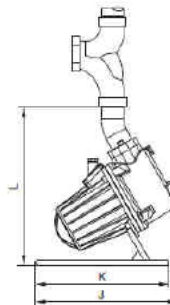
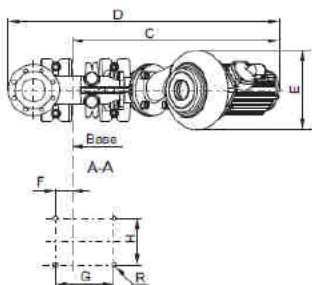
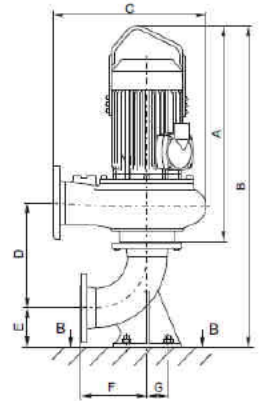
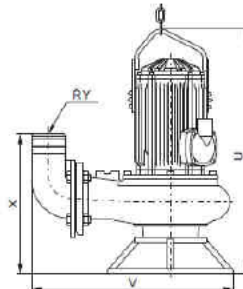
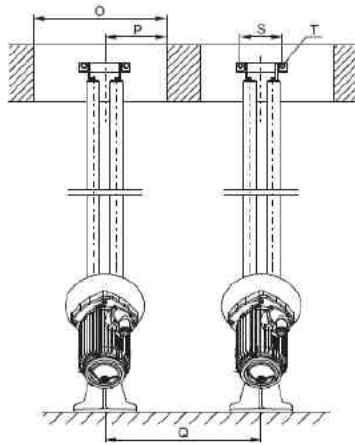
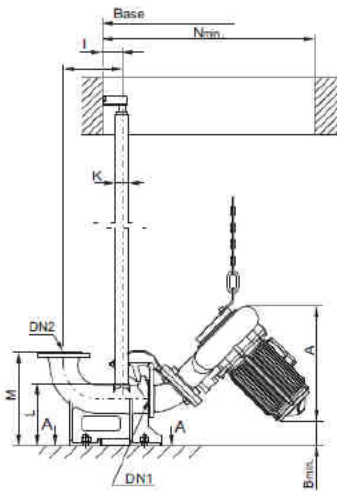
Impeller code	Type			Weight equipment (kg)
	Immersible	Portable	Dry	
73	•	•		18
77	•	•		



Immersible



Impeller code	Type	Force pipe connection (DN)	Free flow cross-section (Ø mm)	Rated power (kW)	Revolutions per minute (r.p.m)	Rated current consumption (A)	Starting current consumption (A)	Cos φ	Cable cross-section (mm²)
250 V, 50 Hz (230V)									
73	01.273	32/50	--	1.35	2800	8.6	25.0	0.89	1.5
75	01.277			0.9		6.3	16.0		
400 V, 50 Hz (400/230V)									
73	01.273	32/50	--	1.3	2800	2.9	17.9	0.87	1.5



Type	DN	A	Bmin	C	D	E	F	G	H	I	J	K	L	M	Nmin	O	P	Q	R	S	T	DN1	DN2
	mm																						
AKM-01	40	290			300	160									600	400	~200					42/30	42/30