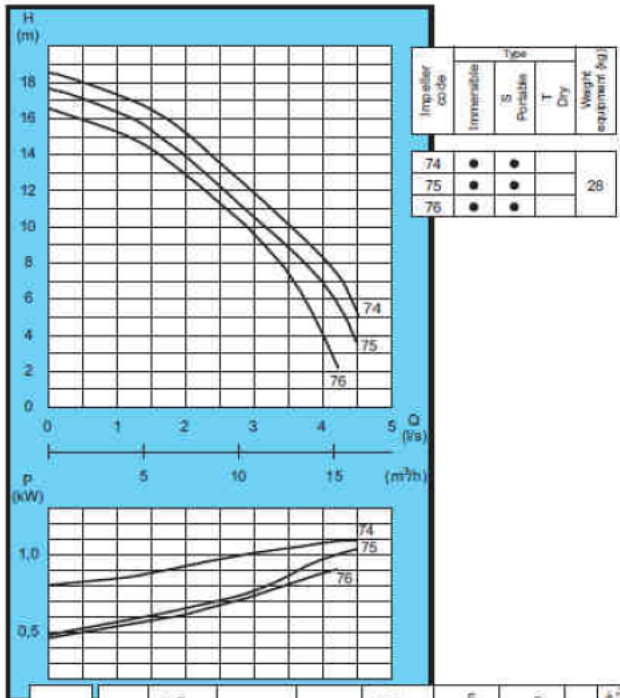


KONTROL - AKD-02.

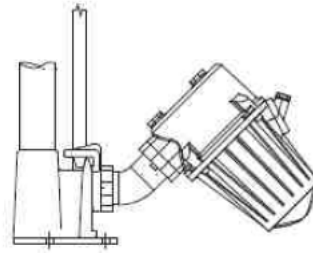
Maximal control - Minimal costs



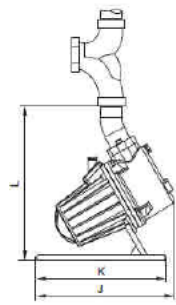
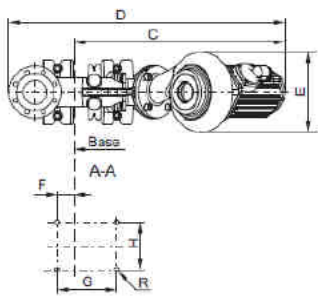
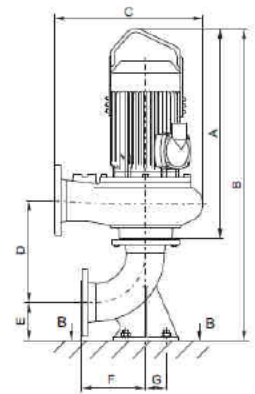
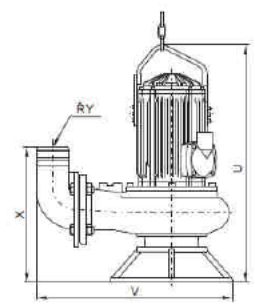
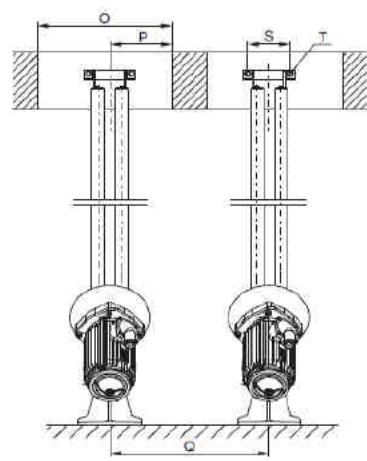
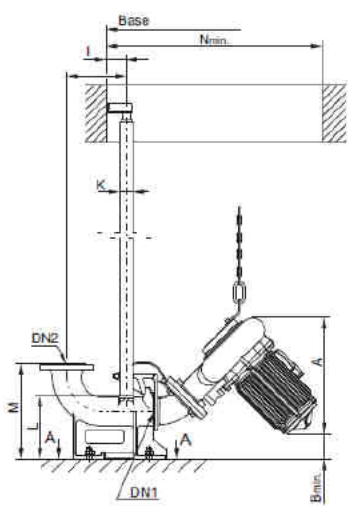
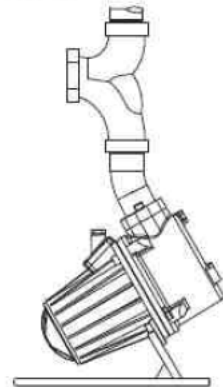
Impeller code	Type			Weight equipment (kg)
	Immersible	Portable	Dry	
74	●	●		28
75	●	●		
76	●	●		

Impeller code	Type	Force pipe connection (DN)	Free flow cross-section (20 mm)	Rated power (kW)	Revolution per minute (r.p.m)	Rated current consumption (A)	Starting current consumption (A)	Cos φ	Cable cross-section (mm²)
74	02.274	50	30	1,1	2850	2,6	16	0,89	1,5
75	02.275								
76	02.276								
230 V, 50 Hz (230V)									
74	02.274	50	30	1,1	2800	7,8	25	0,96	1,5
75	02.275								
76	02.276								

Immersible



Portable



Type	DN	A	Bmin	C	D	E	F	G	H	I	J	K	L	M	Nmin	O	P	Q	R	S	T	DN1	DN2
	mm																						
AKD-02	50	300	25	512	545	194	33	100	105	85	75	¾"	132	168	650	400	~200	~400	M12	52	M10	50	50