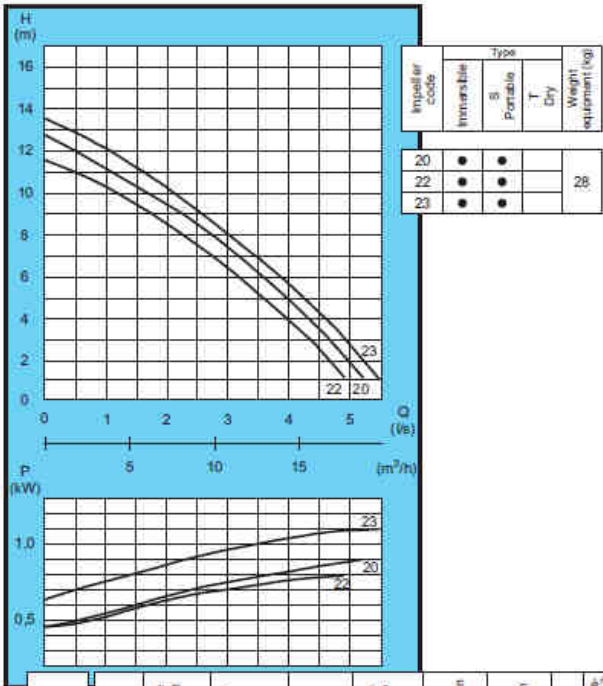


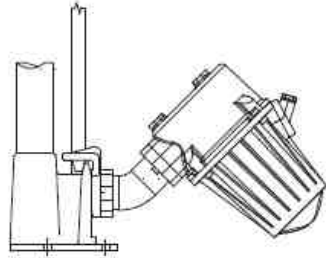
Maximal control - Minimal costs



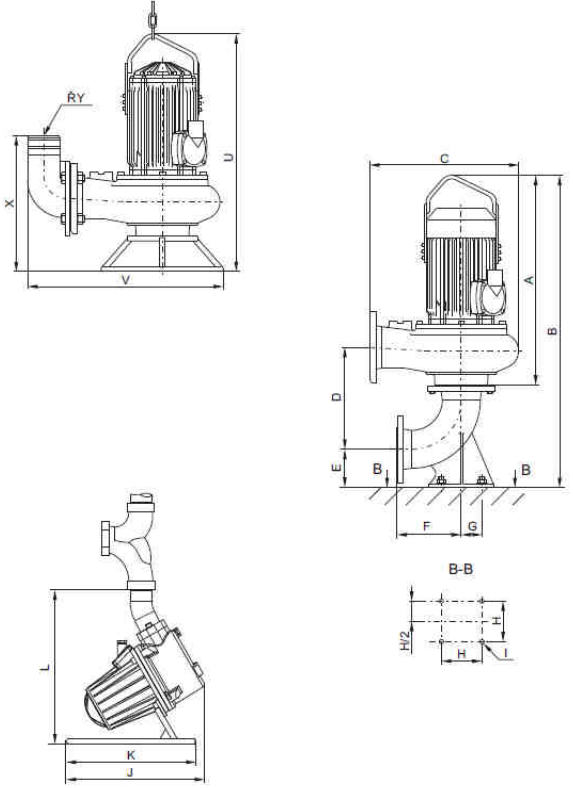
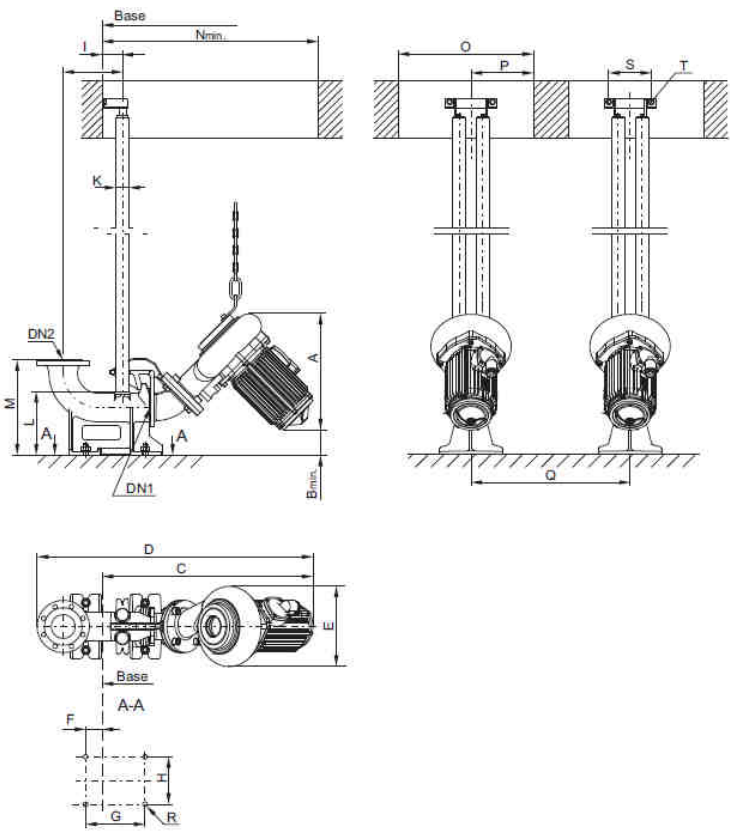
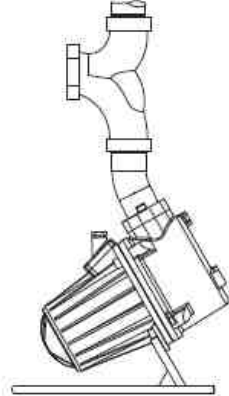
Impeller code	Type			Weight equipment (kg)
	Immersible	Portable	Dry	
20	•	•		28
22	•	•		
23	•	•		

Impeller code	Type	Force pipe connection (DN)	Flow cross-section (mm)	Rated power (kW)	Revolutions per minute (1/min)	Rated current consumption (A)	Starting current consumption (A)	Cos φ	Cable cross-section (mm²)
400 V, 50 Hz (400/230V)									
20	02.220								
22	02.222	50	46	1,1	2850	2,8	16	0,89	1,5
23	02.223								
230 V, 50 Hz (230V)									
20	02.220								
22	02.222	50	46	1,1	2800	7,8	25	0,96	1,5
23	02.223								

Immersible



Portable



Type	DN	A	Bmin	C	D	E	F	G	H	I	J	K	L	M	Nmin	O	P	Q	R	S	T	DN1	DN2
	mm																						
<b>AKD-02</b>	<b>50</b>	<b>300</b>	<b>25</b>	<b>512</b>	<b>545</b>	<b>194</b>	<b>33</b>	<b>100</b>	<b>105</b>	<b>85</b>	<b>75</b>	<b>¾"</b>	<b>132</b>	<b>168</b>	<b>650</b>	<b>400</b>	<b>~200</b>	<b>~400</b>	<b>M12</b>	<b>52</b>	<b>M10</b>	<b>50</b>	<b>50</b>