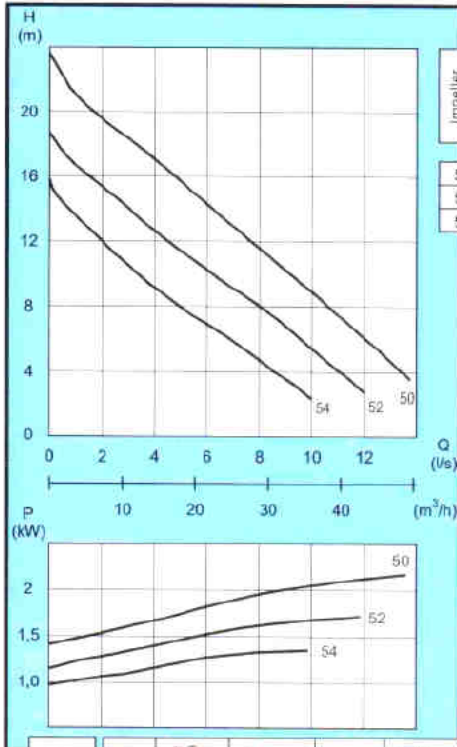


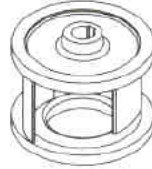
# KONTROL - AKC-05.



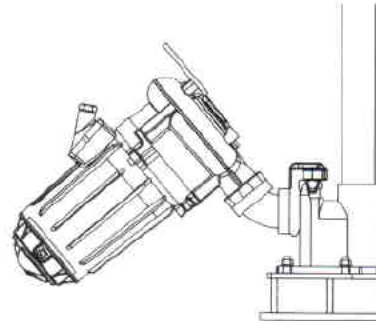
Maximum control - Minimum costs



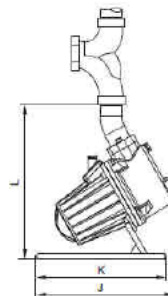
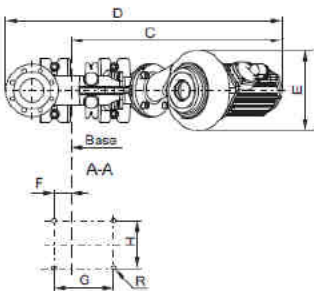
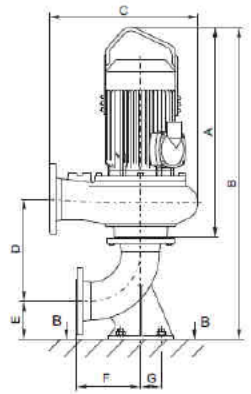
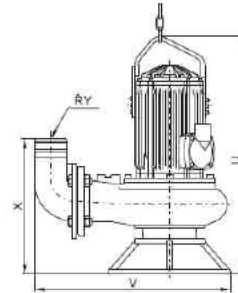
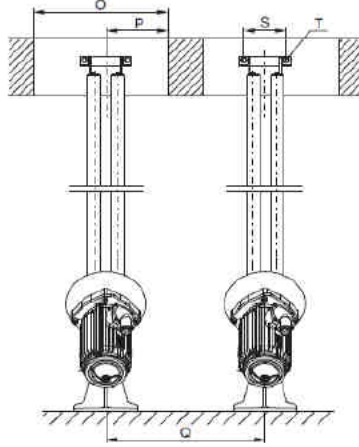
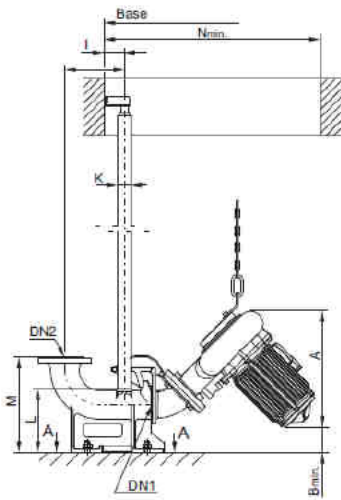
Impeller code	Type			Weight equipment (kg)
	Immersible	Portable	Dry	
50	•	•		50
52	•	•		
54	•	•		



Immersible



Impeller code	Type	Force pipe connection (DN)	Free flow cross-section (Ø mm)	Rated power (kW)	Revolution per minute (r.p.m.)	Rated current consumption (A)	Starting current consumption (A)	Cos φ	Cable cross-section (mm <sup>2</sup> )
400 V, 50 Hz (400/230V)									
50	05.250	50							
52	05.252	or	48	2.2	2820	4,7	24,0	0,83	1.5
54	05.254	80							



Type	DN	A	Bmin	C	D	E	F	G	H	I	J	K	L	M	Nmin	O	P	Q	R	S	T	DN1	DN2
	mm																						
AKC-05	50	380		630	675	230	5	100	160	85	75	3/4"	217	253	750	450	~225	~450	M12	52	M10	50	50
AKC-05	80	380		785	1035	230	59	250	200	85	239	2"	260	400	900	450	~225	~450	M16	195	M10	50	80