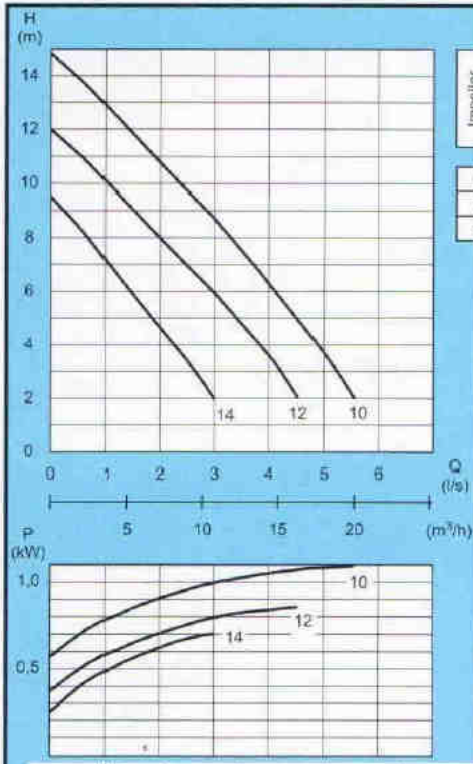
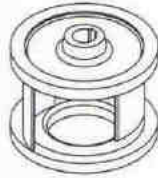


# KONTROL - AKC-02.

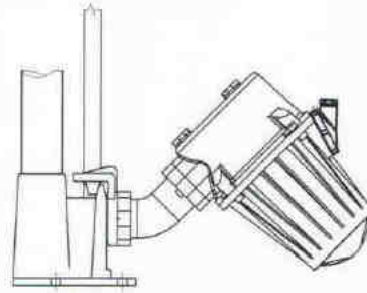
Maximum control - Minimum costs



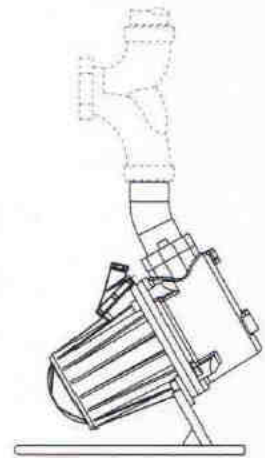
Impeller code	Type			Weight equipment (kg)
	Immersible	Portable	Dry	
10	•	•		28
12	•	•		
14	•	•		



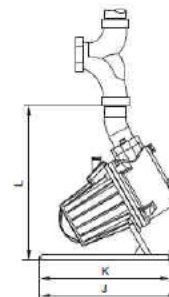
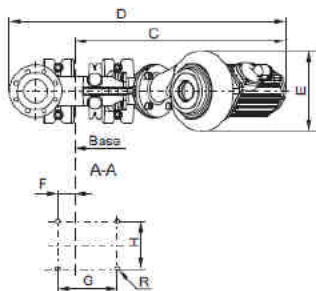
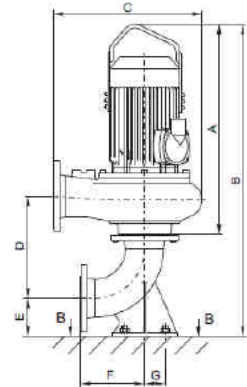
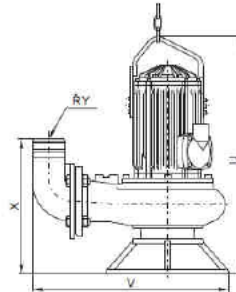
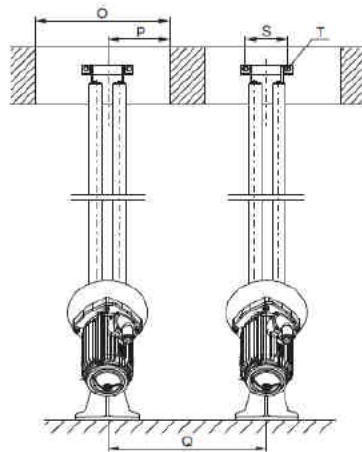
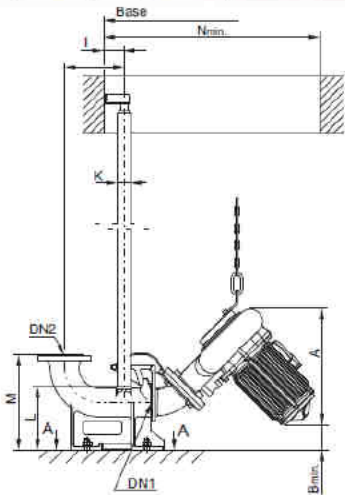
Immersible



Portable



Impeller code	Type	Force pipe connection (DN)	Free flow cross-section (2 mm)	Rated power (kW)	Revolution per minute (r.p.m)	Rated current consumption (A)	Starting current consumption (A)	Cos φ	Cable cross-section (mm²)	
										400 V, 50 Hz (400/230V)
10	02.210	50	46	1,1	2850	2,8	17,3	0,89	1,5	
12	02.212									
14	02.214									
230 V, 50 Hz (230V)										
10	02.210	50	46	1,1	2800	7,8	25,0	0,96	1,5	
12	02.212									
14	02.214									



Type	A	B <sub>min</sub>	C	D	E	F	G	H	I	J	K	L	M	N <sub>min</sub>	O	P	Q	R	S	T	DN1	DN2
	mm																					
<b>AKC-02 DN50</b>	300	25	512	545	194	33	100	105	85	75	¾"	132	168	650	400	~200	~400	M12	52	M10	50	50