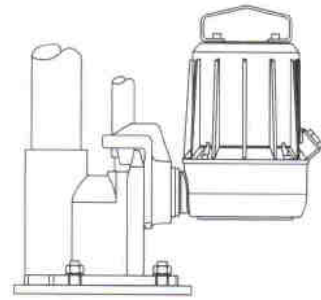


# KONTROL - KM-01.

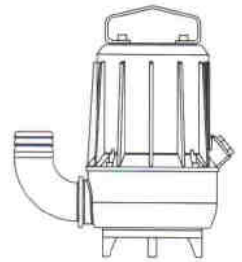


Maximum control - Minimum costs

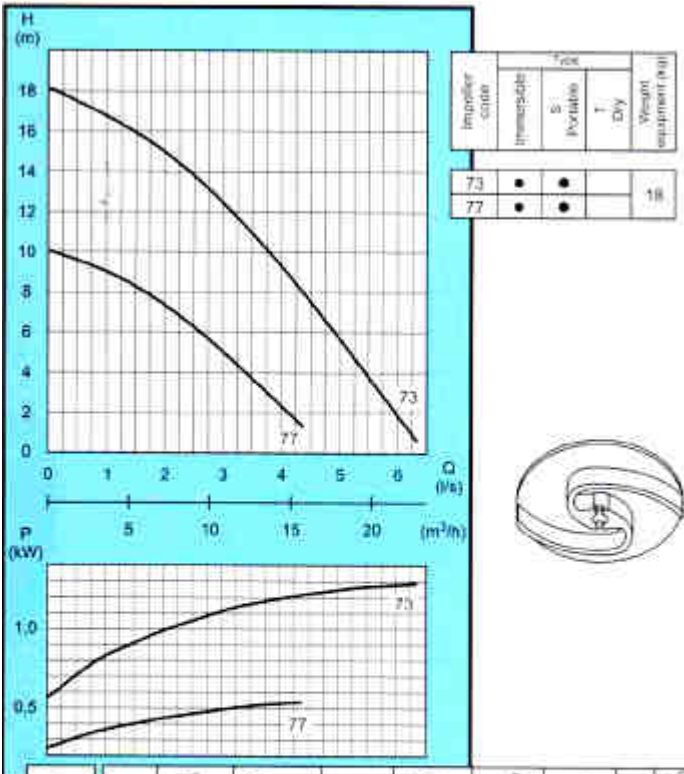
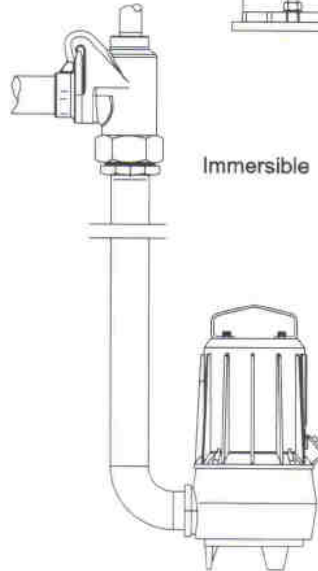
Immersible



Portable



Immersible

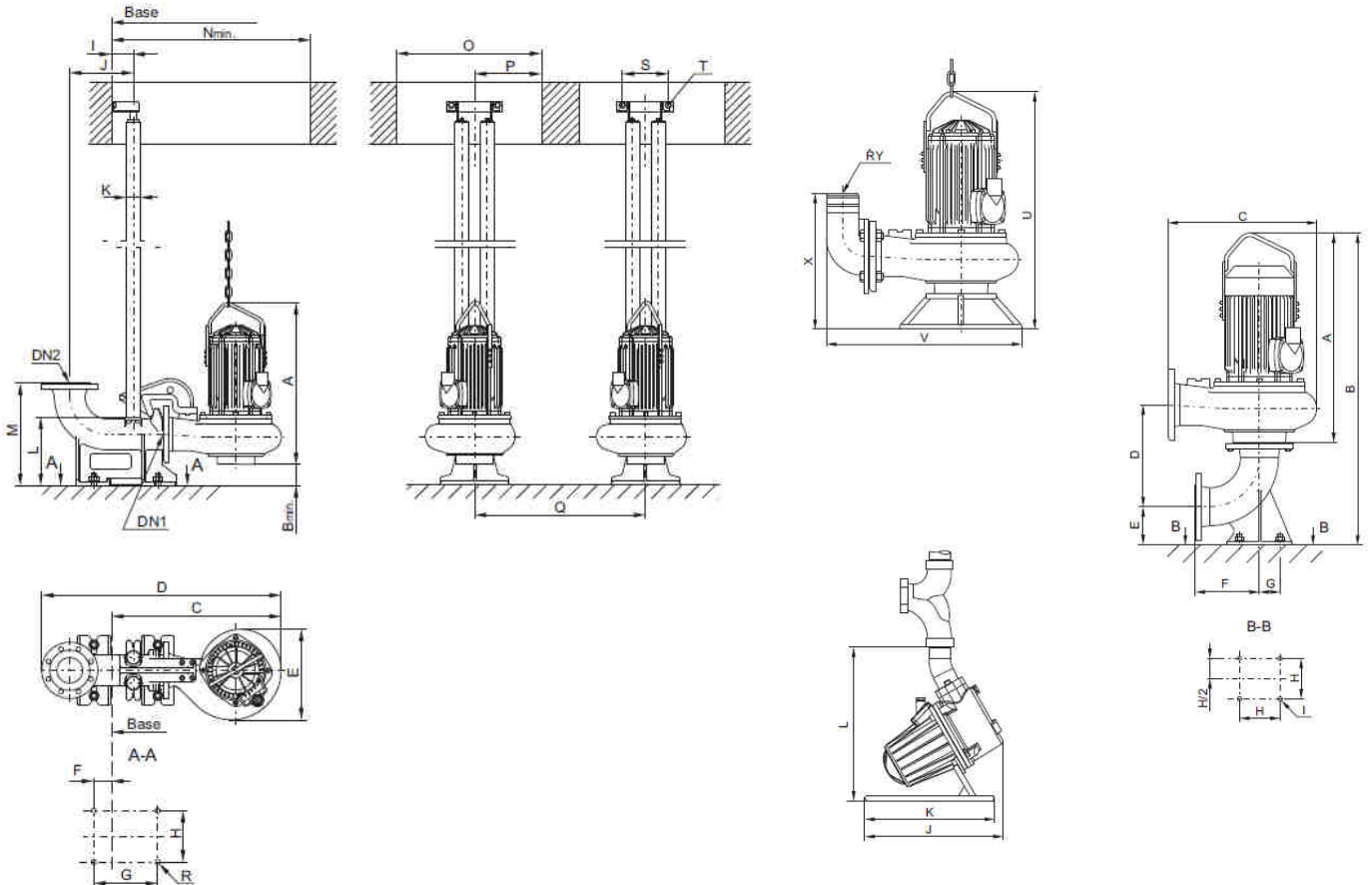


Impeller code	Immersible	Portable	Vertical equipment (m)
73	•	•	18
77	•	•	



Impeller code	Type	Flange pipe connection (DN)	Flange flow cross-section (mm)	Rated power (kW)	Revolutions per minute (r.p.m.)	Rated current consumption (A)	Starting current consumption (A)	Close-y	Cable cross-section (mm²)
230 V, 50 Hz (230V)									
73	01.273	32	-	1.3	2800	8.3	24.0	0.89	1.5
77	01.277			0.9		6.3	16.0		
400 V, 50 Hz (400/230V)									
73	01.273	-	-	1.3	2800	3.3	22.7	0.89	1.5

\* on individual demand



Type	DN	A	Bmin	C	D	E	F	G	H	I	J	K	L	M	Nmin	O	P	Q	R	S	T	DN1	DN2
	mm																						
<b>KM-01</b>	<b>32/40</b>	306		335	370	160	33	100	105	85	75	3/4"	132	168	500	400		~400	M12	52	M10	50	50