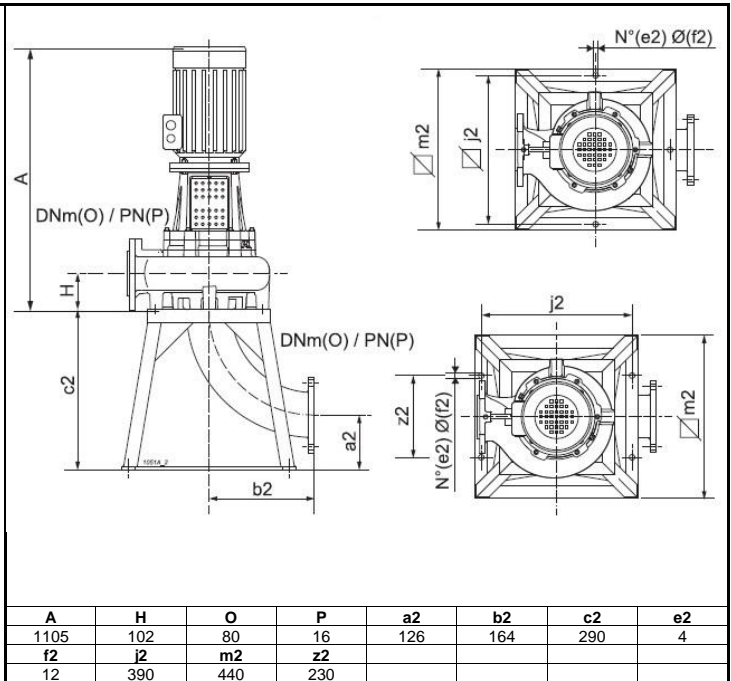
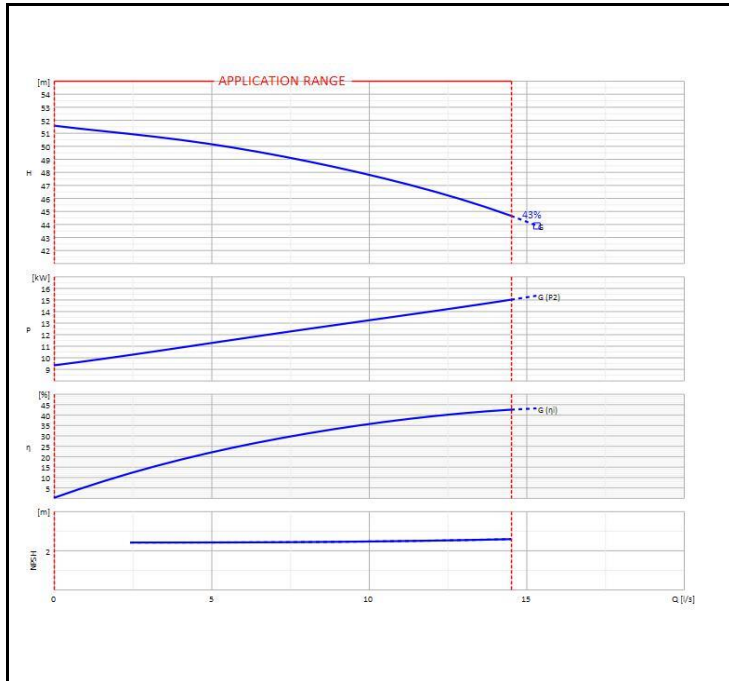




Type	ELECTRIC PUMP FOR WASTE WATER	Model	KD-60.150.2LG-T
------	-------------------------------	-------	------------------------



OPERATING DATA - ISO 9906:2012 3B -					CONSTRUCTION CHARACTERISTICS			
Q [l/s]	H [m]	P [kW]	η [%]	NPSH [m]	Delivery diameter		80	mm
					Type of Impeller		Open retracted	
					Moment of inertia		-	
					Installation	Electric	Accessories	146 - Kg
					Seal on pump side	Motor side	Mechanical	Mechanical
					Type of installation		-	-

OPERATING LIMITS			OPERATING CHARACTERISTICS			
pumped liquid	Waste water		Service flow rate		-	-
Max. temperature of pumped liquid	60	°C	Service head		-	-
Maximum density	1	kg/dm ³	H (Q=0)	Hmax (Qmin)	51,5	51,6
Maximum viscosity	1	mm ² /s	Qmin	Qmax	0	14,5
Max. solid content	4	%	Power consumption at duty point		-	-
Max. number of starts/hr	-	-	Max power consumption		15	kW
Free passage	80	mm	Pump efficiency		-	-
			Overall efficiency		-	-
			Sense of rotation (*)		Clockwise	
			Number of pumps installed		Operating	Stand-by
					1	0
ELECTRIC PUMP MATERIALS			ELECTRIC MOTOR CHARACTERISTICS			
Delivery body	Cast iron		Nominal power		15	kW
Bearing support	Nodular cast iron		Rated frequency		50	Hz
Impeller	Cast iron		Rated voltage		400	V
Pump shaft	Stainless steel		Rated current		27,1	A
Flange bearing	Cast iron		No. Poles	Rotation speed	2	2940
Oil box	Cast iron		Efficiency class		IE3	
Lantern bracket	Cast iron		Type of motor		3 ~	
Protective casing	Stainless steel		Efficiency 4/4 - 3/4		91,9 - 92,0 %	
Conductivity probe	Brass		Power factor 4/4 - 3/4		0,87	
Elastic ring	Steel		Is/In	Ts/Tn	8,1	2
Seal ring	Rubber		Thermal protection		PTC	
Belleville washer	Stainless steel		Insulation class		F	
Seal ring	Rubber		Protection class		IP55	
Plug	Stainless steel		Mounting		V1	
Mechanical seal on pump side	Ceramic/graphite					
Mechanical seal on motor side	Ceramic/graphite					