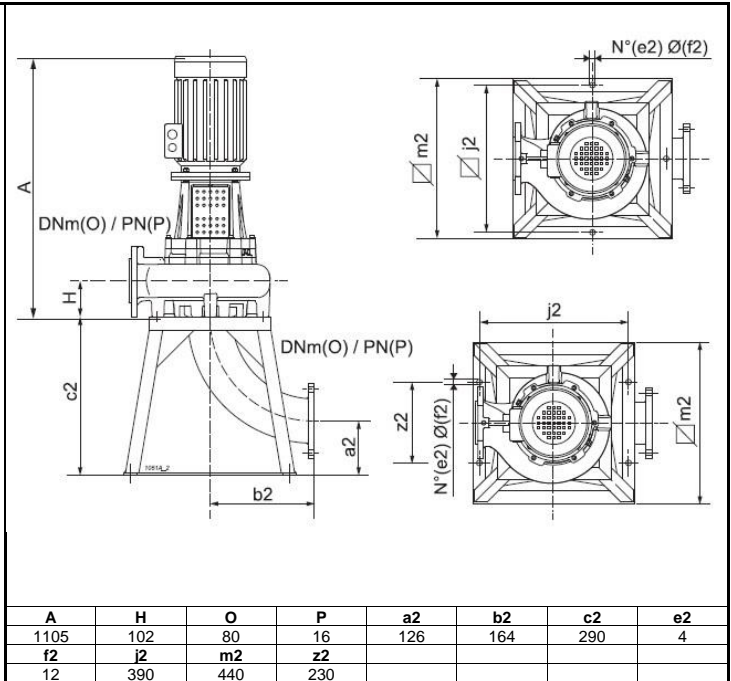
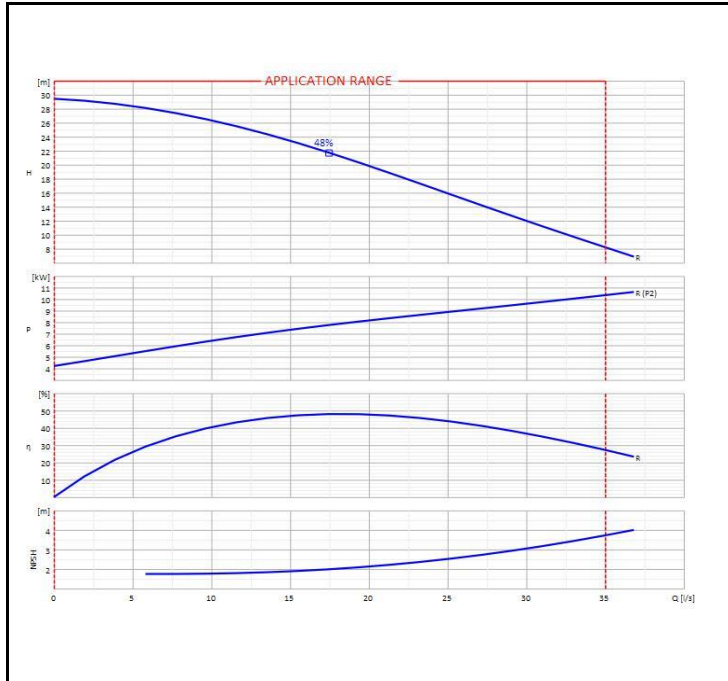




Harmony of the Nature



Type	ELECTRIC PUMP FOR WASTE WATER	Model	KONTROLL KD-60.110.2LR-T
------	-------------------------------	-------	---------------------------------



OPERATING DATA - ISO 9906:2012 3B -					CONSTRUCTION CHARACTERISTICS			
Q [l/s]	H [m]	P [kW]	η [%]	NPSH [m]	Delivery diameter		80	mm
					Type of Impeller		Open retracted	
					Moment of inertia		-	
					Installation	Electric	Accessories	135 - Kg
					Seal on pump side	Motor side	Mechanical	Mechanical
					Type of installation		-	-

OPERATING LIMITS			OPERATING CHARACTERISTICS		
pumped liquid	Waste water		Service flow rate	-	-
Max. temperature of pumped liquid	60	°C	Service head	-	-
Maximum density	1	kg/dm³	H (Q=0)	29,4	29,4
Maximum viscosity	1	mm²/s	Qmin	0	35
Max. solid content	4	%	Hmax (Qmin)	-	-
Max. number of starts/hr	-	-	Qmax	-	-
Free passage	80	mm	Power consumption at duty point	10,3	kW
			Max power consumption	-	-
			Pump efficiency	-	-
			Overall efficiency	-	-
			Sense of rotation (*)	Clockwise	

ELECTRIC PUMP MATERIALS		ELECTRIC MOTOR CHARACTERISTICS		
Delivery body	Cast iron	Nominal power	11	kW
Bearing support	Nodular cast iron	Rated frequency	50	Hz
Impeller	Cast iron	Rated voltage	400	V
Pump shaft	Stainless steel	Rated current	20	A
Flange bearing	Cast iron	No. Poles	2	2940
Oil box	Cast iron	Rotation speed	1/min	
Lantern bracket	Cast iron	Efficiency class	IE3	
Protective casing	Stainless steel	Type of motor	3 ~	
Conductivity probe	Brass	Efficiency 4/4 - 3/4	91,2 - 91,3 %	
Elastic ring	Steel	Power factor 4/4 - 3/4	0,87	
Seal ring	Rubber	Is/In	8,1	2
Belleville washer	Stainless steel	Ts/Tn		
Seal ring	Rubber	Thermal protection	PTC	
Plug	Stainless steel	Insulation class	F	
Mechanical seal on pump side	Ceramic/graphite	Protection class	IP55	
Mechanical seal on motor side	Ceramic/graphite	Mounting	V1	