

KCX-20.27.4HG

Requested data

Flow	0 l/s
Head	0 m
Fluid	
Pumpe type	Single head pump
No. of pumps	1

Operating pump data

Flow	
Head	
Shaft power	
Efficiency	%
Head H(Q=0)	13,7 m
Discharge connection	100 mm
Installation	Submersed automatic coupling
Impeller	Single channel
Free passage	80 mm

Motor data

Frequency	50 Hz
Rated voltage	400 V
Nominal speed	1450 1/min
Number of poles	4
Rated power P2	2,7 kW
Rated current	6,5 A
Motor type	3~
Insulation class	F
Degree of protection	IP 68

Operating limits

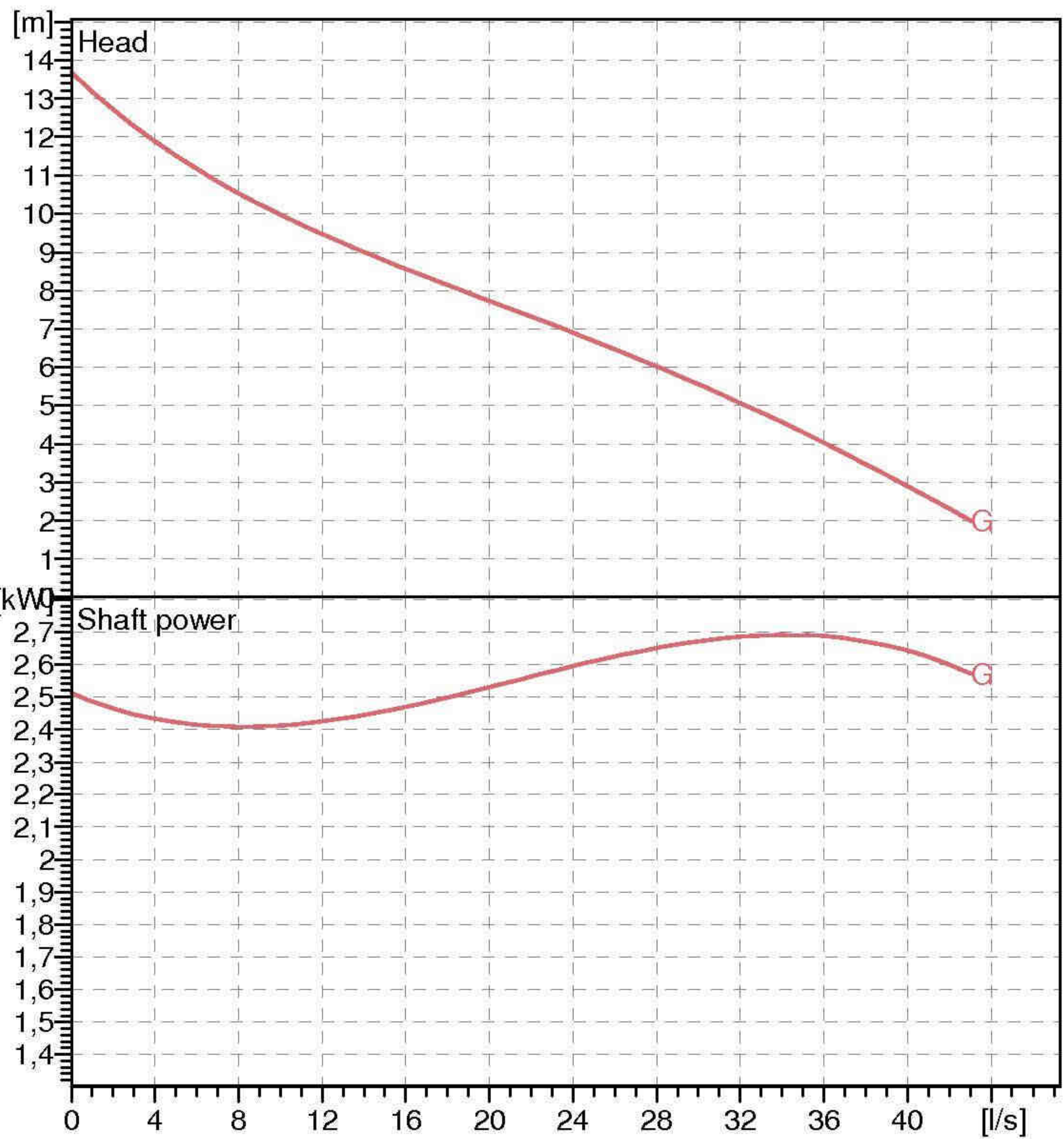
Starts per hour max.	20
Maximum temperature of pumped fluid	40 °C
Max. Density	998 kg/m³
Max. viscosity	1 mm²/s

General data

Weight	72 kg
Flameproof version	ATEX II 2G EExd IIB T4

Materials

Pump casing	Grey cast iron
Impeller	Grey cast iron
Wear ring	Steel/rubber
Suction casing	Grey cast iron
Mech. seal on pump side	Silicon carbide/Ceramics
Oil chamber	Grey cast iron
Motor casing	Grey cast iron
Shaft	Stainless steel
Thermal probes	Yes
Conductivity probe	Yes
Mech. seal on motor side	Graphite/Ceramics
Handle	Stainless steel
Power supply cable	10m
Screws and nuts	Stainless steel



Operating data

ISO 9906 GRADE 2

Q [l/s]	H [m]	P [kW]	Eff. [%]	NPSH [m]

A = 588

a = ø2"

B = 370

b = 483

C = 435

D = 198

d = 35

DN = 100/PN16

DNp = 100/PN16

E = 172

e = ø12,5

F = 255

f = 48

g = 179

G = 180

H = 118

h = 130

J = 180

K = 220

Ls1 = 537

Ls3 = 281

m = 350

N = 114

n = 200

øX = 1

p = 18

q = 186

r = 135

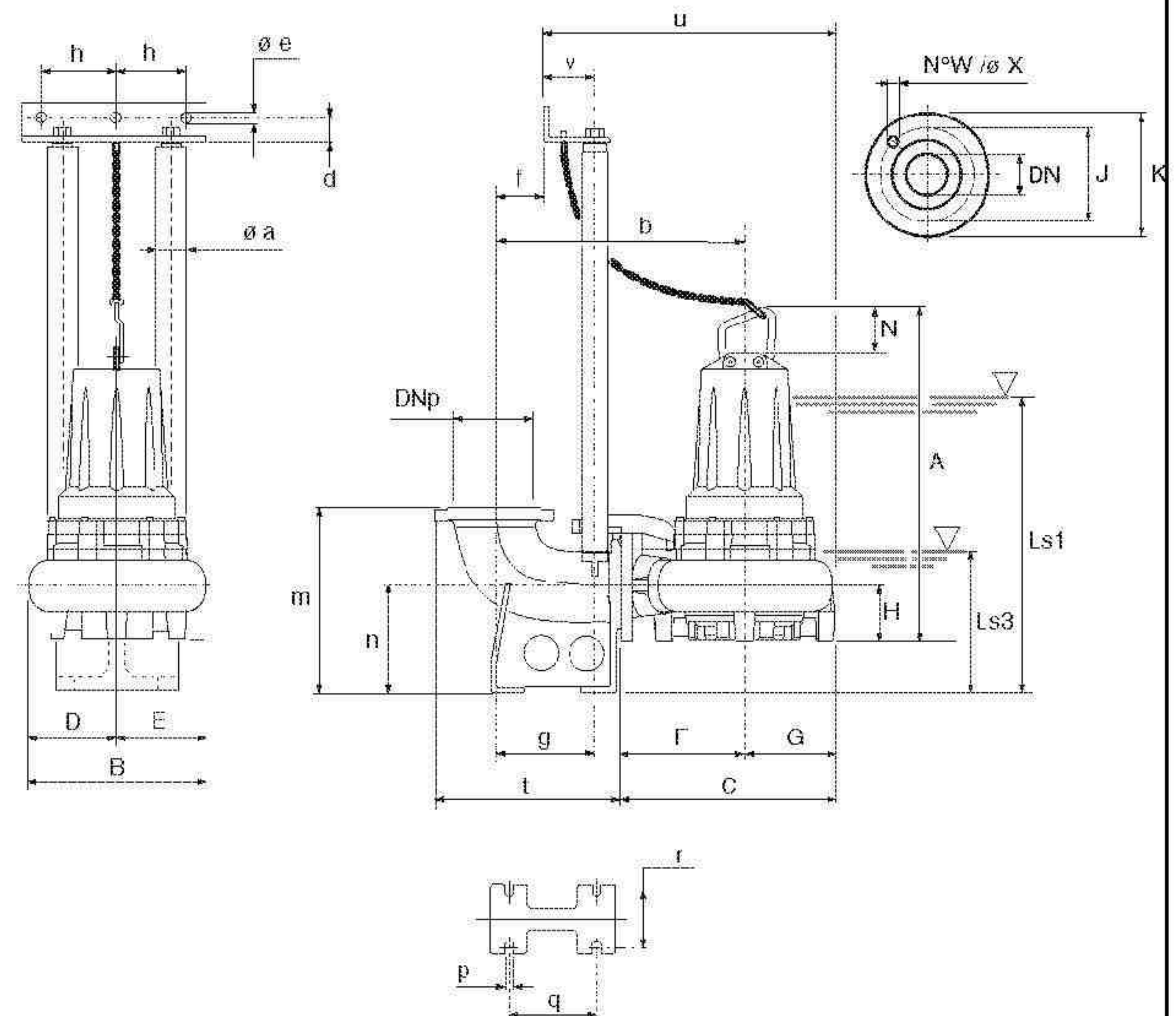
t = 338

u = 615

v = 102

W = 8

Dimensions mm



Remarks: