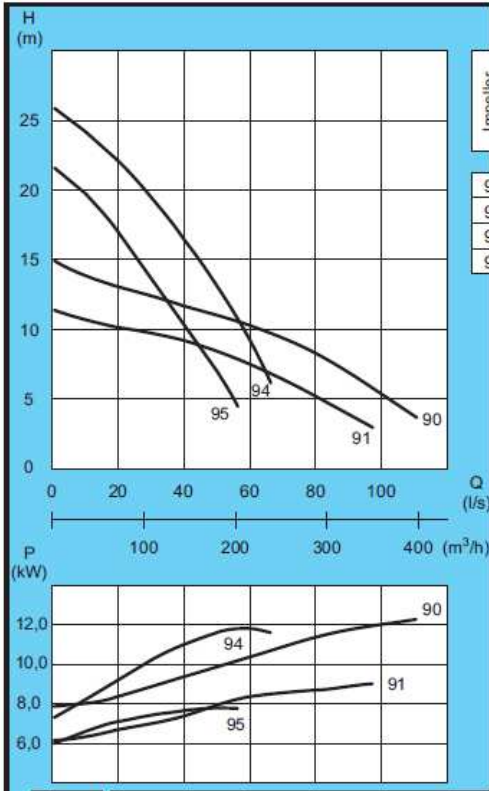


KONTROL - KF-60.



Maximal control - Minimal costs

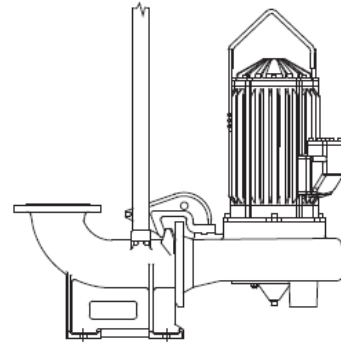


Impeller code	Type			Weight equipment (kg)
	Immersible	Portable	Dry	
90*	•	•		204
91*	•	•		
94*	•	•		
95*	•	•		

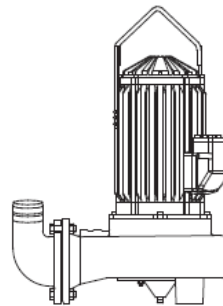
90*	•	•		204
91*	•	•		
94*	•	•		
95*	•	•		



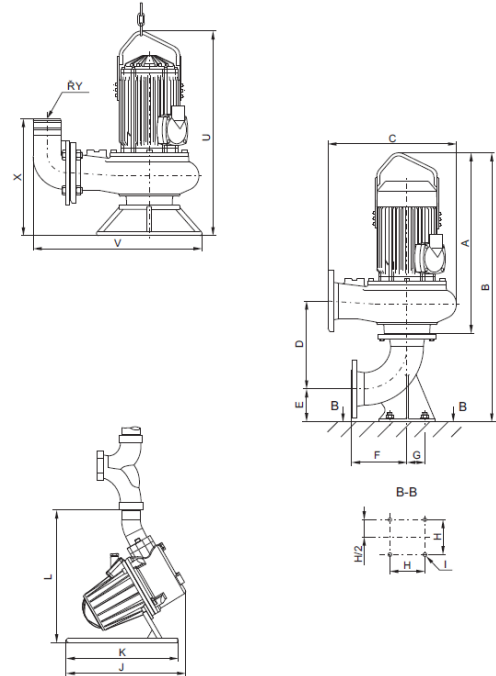
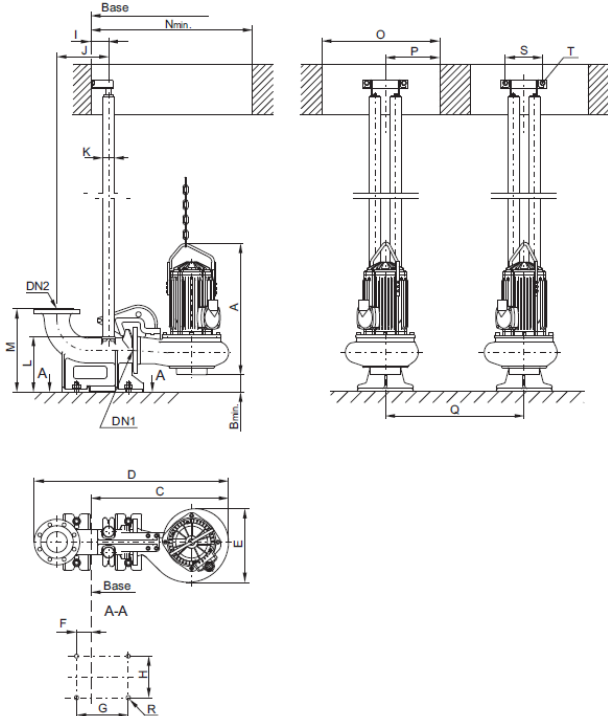
Immersible



Portable



Impeller code	Type	Force pipe connection (DN)	Free flow cross-section (Ø mm)	Rated power (kW)	Revolution per minute (rp.m)	Rated current consumption (A)	Starting current consumption (A)	Cos φ	Cable cross-section (mm²)
400 V, 50 Hz (400/230V or 690/400V)									
90*	60.490	150		13	1445	25	204;55	0,84	10;4
91*	60.491	100/150		9	1445	17,2	130;48		4;2,5
94*	60.494	150		13	1445	25	204;55		10;4
95*	60.495	100/150		9	1445	17,2	130;48		4;2,5



Type	DN	A	Bmin	C	D	E	F	G	H	I	J	K	L	M	Nmin	O	P	Q	R	S	T	DN1	DN2
	mm																						
KF-60.490 .491 .494 .495	150/150			768	1105	460	109	280	250	85	279	2"	365	450	900	850		~1000	M20	195	M12	150	150
	150/100	990		751	1025	435	69	250	200	85	249	2"	270	400	900	850		~1000	M20	195	M12	100	100
KF-60.490 .491 .494 .495	100/150/150	990		751	1095	435	109	280	250	85	279	2"	365	450	900	850		~1000	M20	195	M12	100	150
	100/150/100	990		751	1025	435	69	250	200	85	249	2"	270	400	900	850		~1000	M20	195	M12	100	100