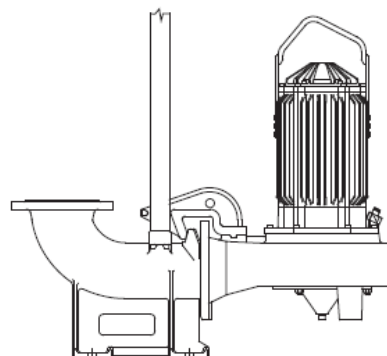


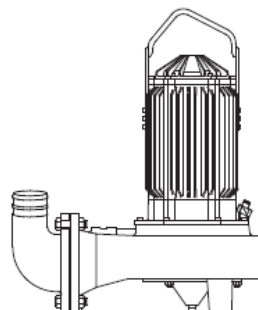
Impeller code	Type			Weight equipment (kg)
	Immersible	Portable	Dry	
90*	●	●		168
91*	●	●		



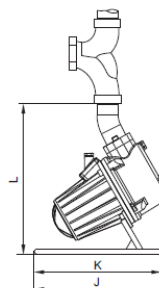
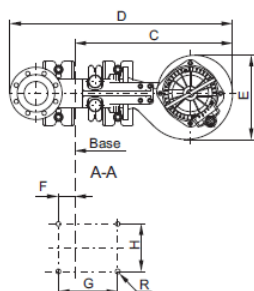
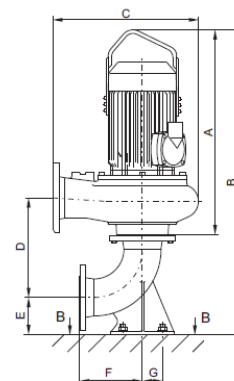
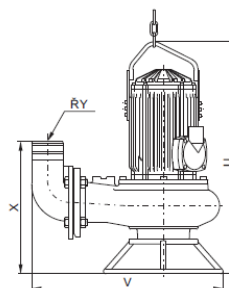
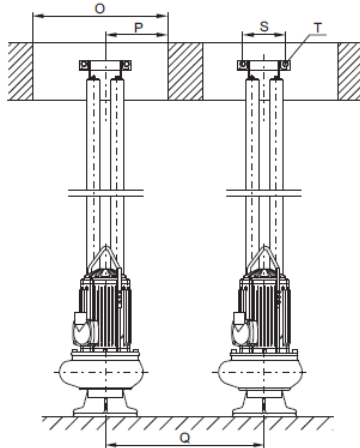
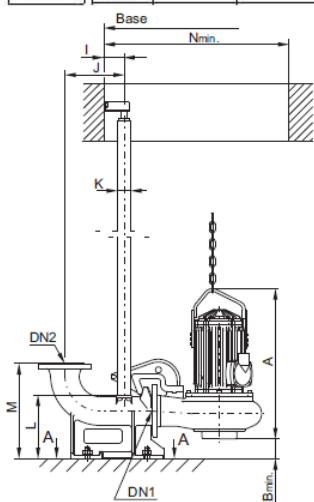
Immersible



Portable



Impeller code	Type	Force pipe connection (DN)	Free flow cross-section (∅ mm)	Rated power (kW)	Revolution per minute (r.p.m)	Rated current consumption (A)	Starting current consumption (A)	Cos φ	Cable cross-section (mm ²)
400 V, 50 Hz (400/230V or 690/400V)									
90*	40.490	150		7,5	1450	15,2	98,8;27,4	0,82	4;1,5
91*	40.491			5,5	1445	11,3	71,2;19,2		2,5



Type	DN	A	Bmin	C	D	E	F	G	H	I	J	K	L	M	Nmin	O	P	Q	R	S	T	DN1	DN2
	mm																						
KF-40.490 .491	150/150	872		761	1100	450	109	280	250	85	279	2"	365	450	780	570		~670	M20	195	M12	150	150