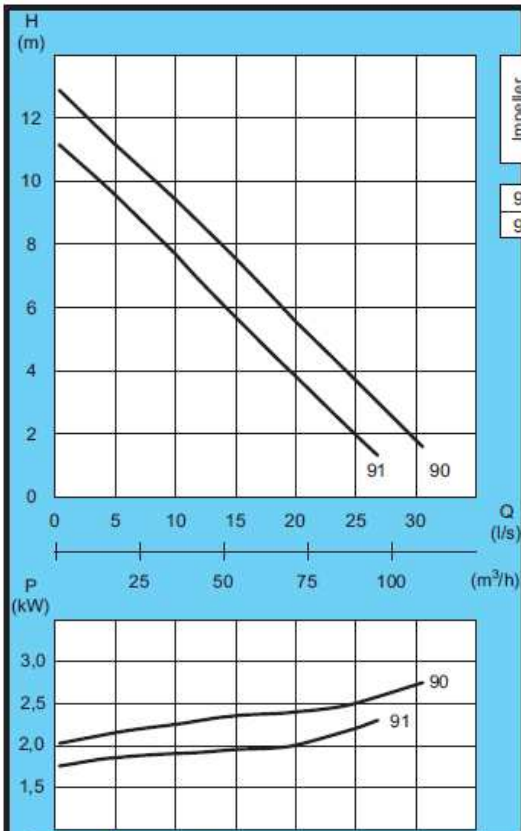


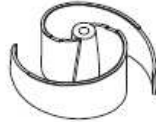
KONTROL - KF-20.



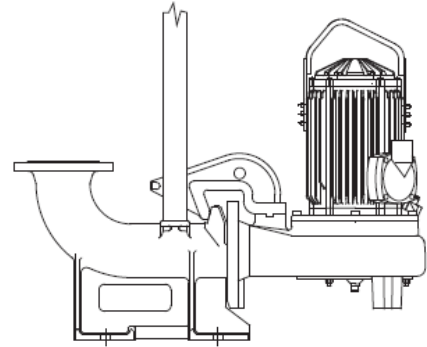
Maximal control - Minimal costs



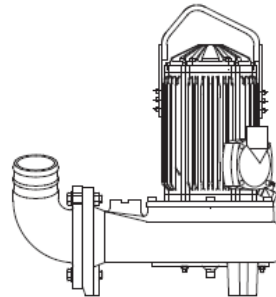
Impeller code	Type			Weight equipment (kg)
	Immersible	Portable	Dry	
90*	●	●		87
91*	●	●		



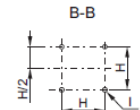
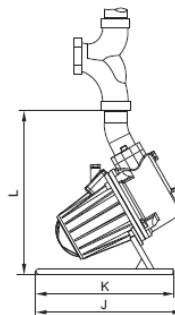
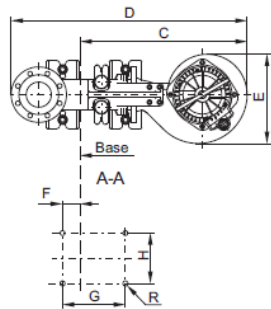
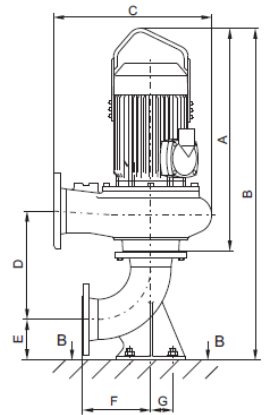
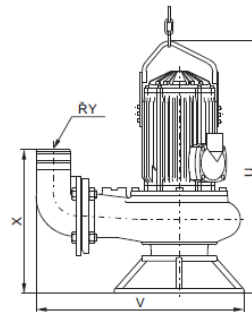
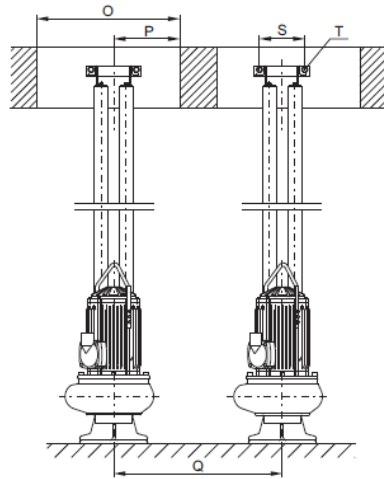
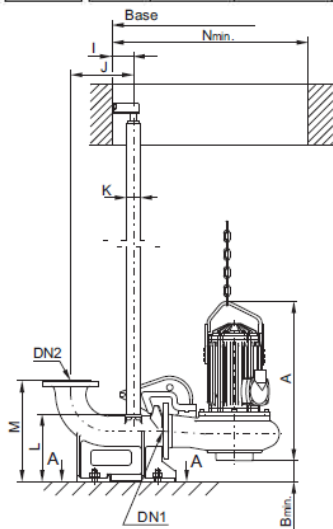
Immersible



Portable



Impeller code	Type	Force pipe connection (DN)	Free flow cross-section (Ø mm)	Rated power (kW)	Revolutions per minute (r.p.m)	Rated current consumption (A)	Starting current consumption (A)	Cos φ	Cable cross-section (mm²)
400 V, 50 Hz (400/230V or 690/400V)									
90*	20.490	100		3	1440	6,8	37,4	0,82	1,5
91*	20.491								



Type	DN	A	Bmin	C	D	E	F	G	H	I	J	K	L	M	Nmin	O	P	Q	R	S	T	DN1	DN2
	mm																						
KF-20.490 .491	100	653		646	920	315	69	250	200	85	249	2"	270	400	750	570		~670	M20	195	M12	100	100