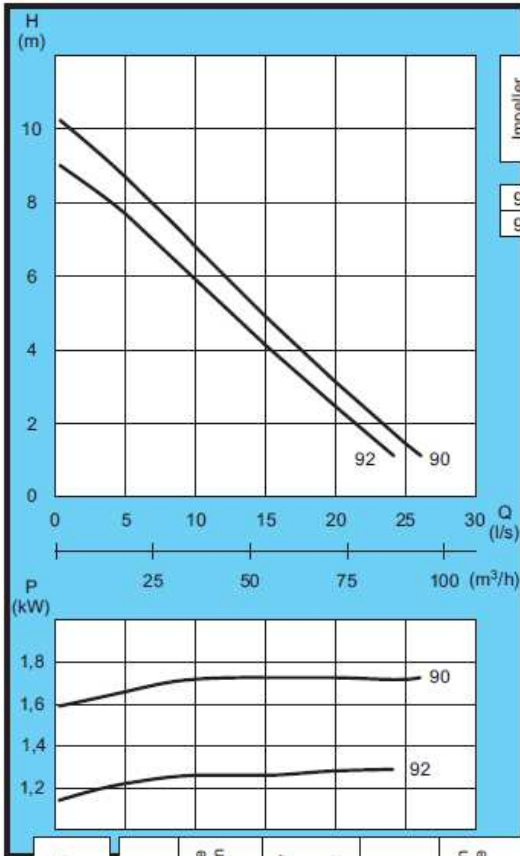


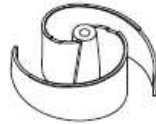
KONTROL - KF-08.



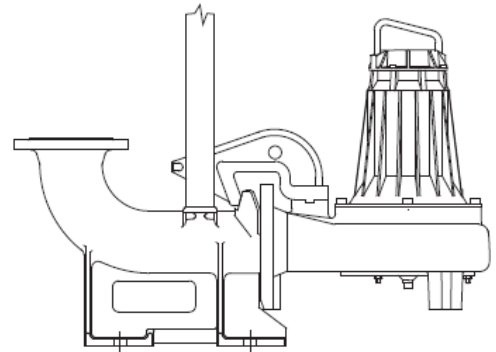
Maximal control - Minimal costs



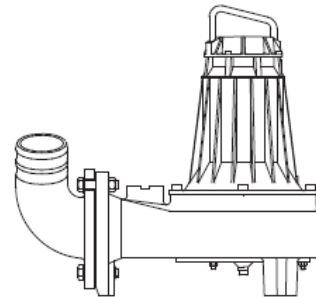
Impeller code	Type			Weight equipment (kg)
	Immersible	Portable	Dry	
90*	●	●		73
92*	●	●		



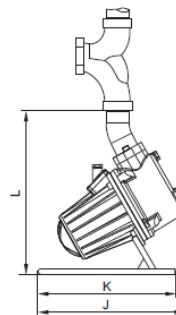
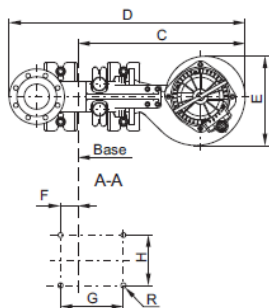
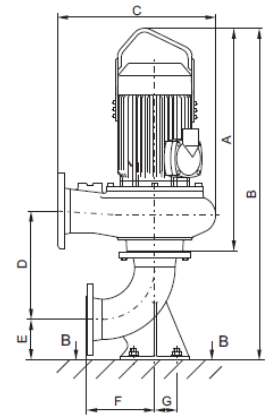
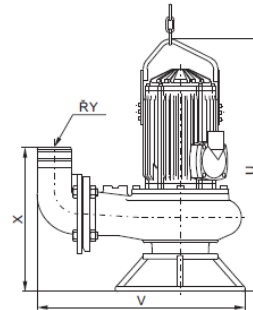
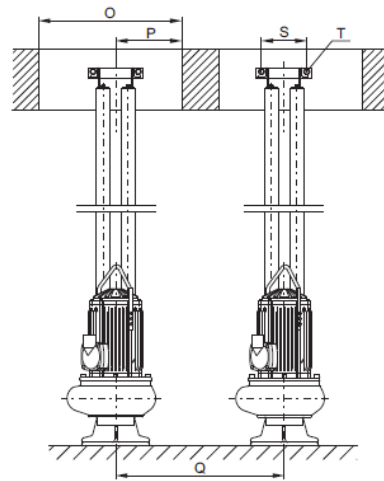
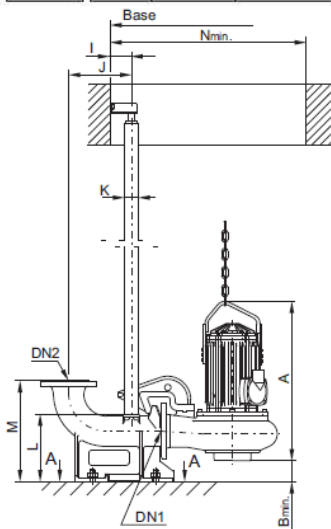
Immersible



Portable



Impeller code	Type	Force pipe connection (DN)	Free flow cross-section (∅ mm)	Rated power (kW)	Revolution per minute (r.p.m)	Rated current consumption (A)	Starting current consumption (A)	Cos φ	Cable cross-section (mm²)
400 V, 50 Hz (400/230V)									
90*	08.490	100		1,8	1435	4,5	23	0,79	1,5
92*	08.492			1,5	1430	3,8	14,4		



Type	DN	A	Bmin	C	D	E	F	G	H	I	J	K	L	M	Nmin	O	P	Q	R	S	T	DN1	DN2
	mm																						
KF-08.490; 492	100	560		646	920	35	69	250	200	85	249	2"	270	400	750	570		~670	M20	195	M12	100	100