

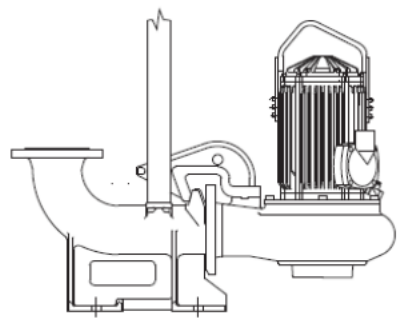
Impeller code	Type			Weight equipment (kg)
	Immersible	Portable	Dry	
23	●	●	●	95
24	●	●	●	
25	●	●	●	
70*	●	●	●	

23	●	●	●	95
24	●	●	●	
25	●	●	●	
70*	●	●	●	

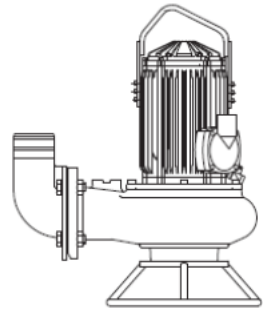


Impeller code	Type	Force pipe connection (DN)	Free flow cross-section (Ø mm)	Rated power (kW)	Revolutions per minute (r.p.m)	Rated current consumption (A)	Starting current consumption (A)	Cos φ	Cable cross-section (mm²)
400 V, 50 Hz (400/230V or 690/400V)									
23*	23.423	100	87	2,2	1435	5,3	28,1	0,81	1,5
24*	24.424								
25*	25.425								
70*	21.470								

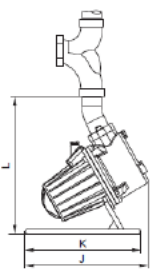
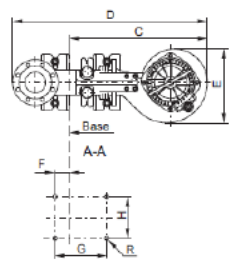
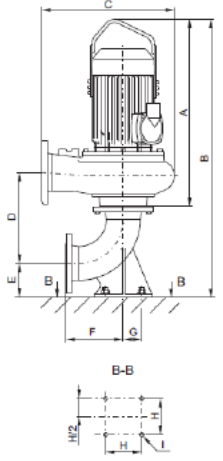
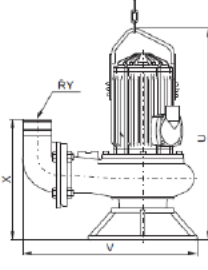
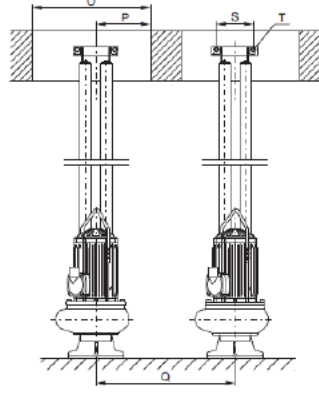
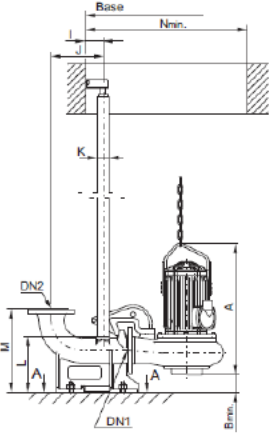
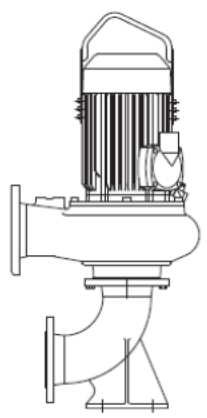
Immersible



Portable



Dry



Type	DN	A	Bmin	C	D	E	F	G	H	I	J	K	L	M	Nmin	O	P	Q	R	S	T	DN1	DN2
	mm																						
KD-23.423 .424 .425 .470	100	633		666	940	355	69	250	200	85	249	2"	270	400	780	570		~670	M20	195	M12	100	100
	100/150	633		666	1005	355	109	280	250	85	279	2"	365	450	780	570		~670	M20	195	M12	100	150
	100/200	633		666	1060	355	139	280	250	85	309	2"	380	450	780	570		~670	M20	195	M12	100	200