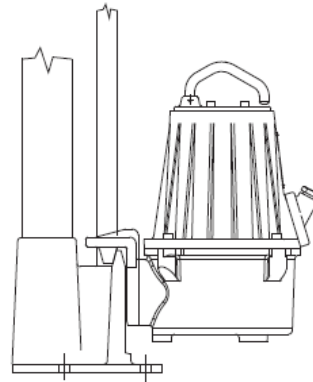


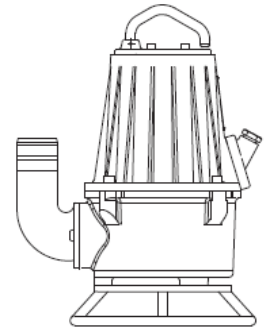
Impeller code	Type			Weight equipment (kg)
	Immersible	Portable	Dry	
74	•	•		26
75	•	•		
76	•	•		



Immersible



Portable



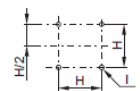
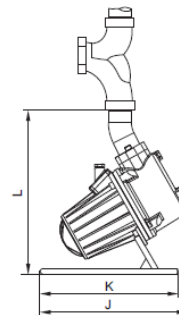
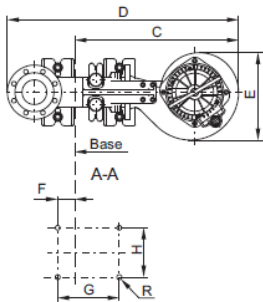
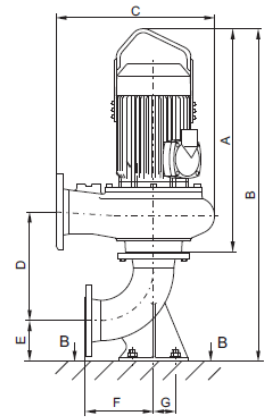
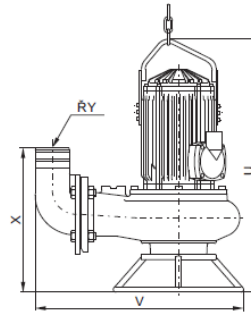
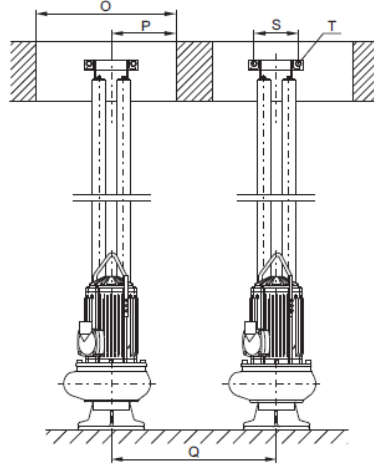
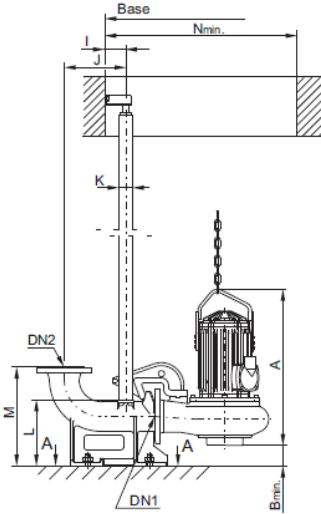
Impeller code	Type	Force pipe connection (DN)	Free flow cross-section (Ø mm)	Rated power (kW)	Revolution per minute (r.p.m)	Rated current consumption (A)	Starting current consumption (A)	Cos φ	Cable cross-section (mm²)
---------------	------	----------------------------	--------------------------------	------------------	-------------------------------	-------------------------------	----------------------------------	-------	---------------------------

400 V, 50 Hz (400/230V)

74	02.274	50	30	1,1	2850	2,6	16	0,89	1,5
75	02.275								
76	02.276								

230 V, 50 Hz (230V)

74	02.274	50	30	1,1	2800	7,8	25	0,96	1,5
75	02.275								
76	02.276								



Type	DN	A	Bmin	C	D	E	F	G	H	I	J	K	L	M	Nmin	O	P	Q	R	S	T	DN1	DN2
	mm																						
KD-02	50	300		350	385	194	33	100	105	85	75	¾"	132	168	500	400		~400	M12	52	M10	50	50