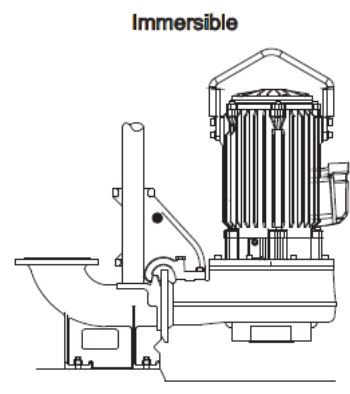
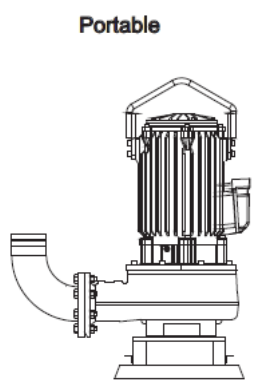


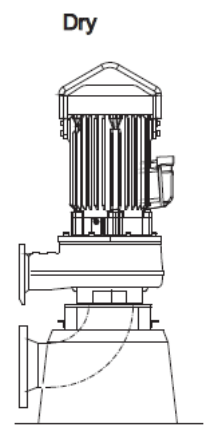
Impeller code	Type	
	Immersible	Portable
30	•	•
32	•	•
34	•	•
35	•	•



**Immersible**

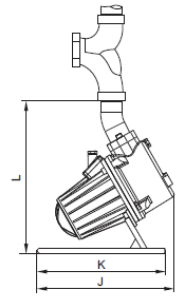
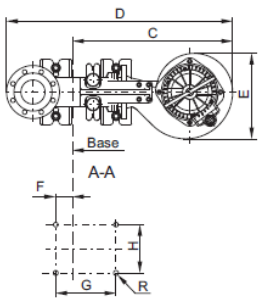
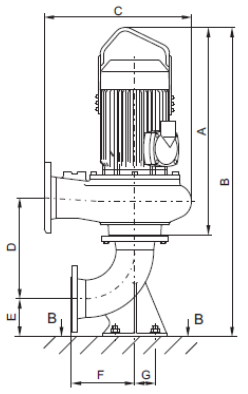
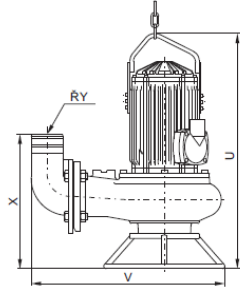
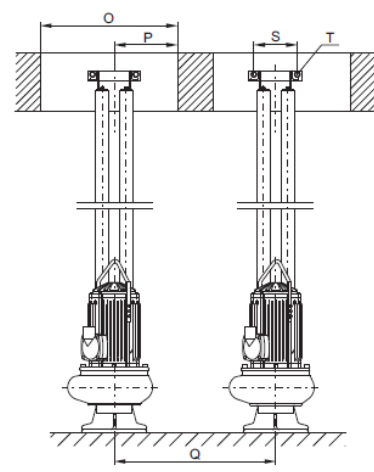
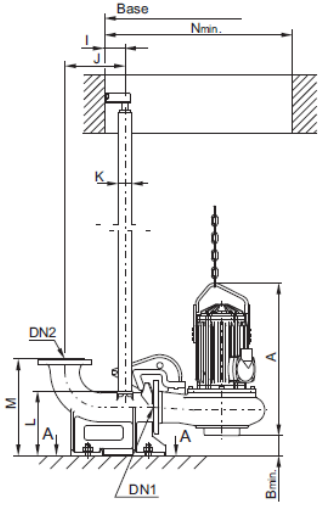


**Portable**



**Dry**

Impeller code	Type	Force pipe connection (DN)	Free flow cross-section (Ø mm)	Rated power (kW)	Revolutions per minute (r.p.m)	Rated current consumption (A)	Starting current consumption (A)	Cos φ	Cable cross-section (mm²)
400 V, 50 Hz (400/230V or 690/400V)									
30*	81.630	250	120	22	970	41	237,8; 73,8	0,85	16; 6
32*	81.632								
34*	81.634								
35*	81.635								



Type	DN	A	Bmin	C	D	E	F	G	H	I	J	K	L	M	Nmin	O	P	Q	R	S	T	DN1	DN2
	mm																						
<b>KC-81.630</b> <b>.632.634 .635</b>	<b>200/250</b>	1185	130	967	1310	545	309	500	250	135	309	3"	345	450	1600	800	550	~1000	M20	115	M16	200	250