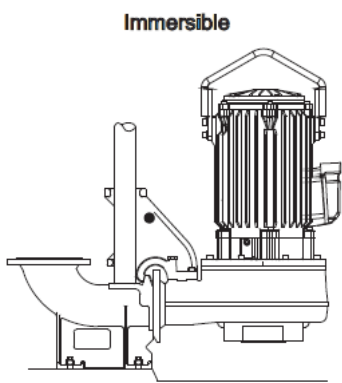
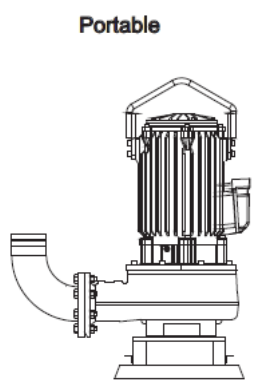


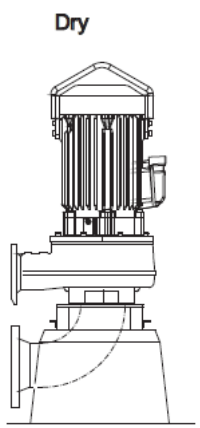
Impeller code	Type		
	Immersible	Portable	Dry
24*	●	●	●
25*	●	●	●
26*	●	●	●
27*	●	●	●



Immersible

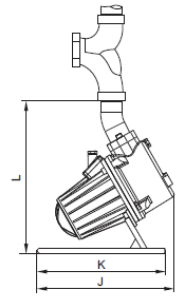
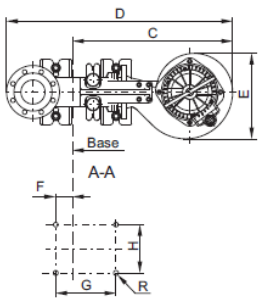
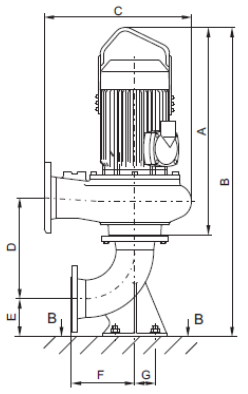
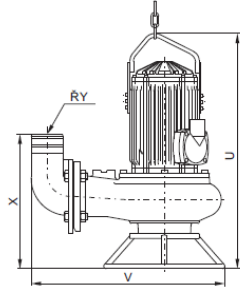
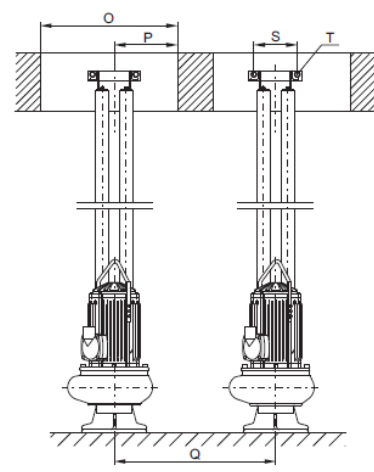
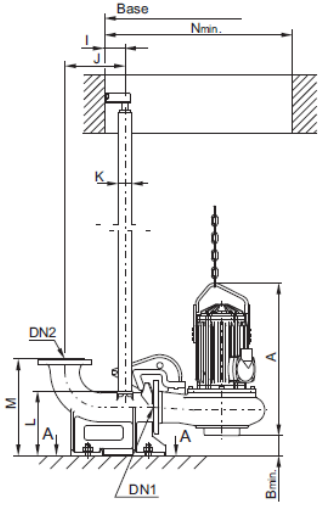


Portable



Dry

Impeller code	Type	Force pipe connection (DN)	Free flow cross-section (Ø mm)	Rated power (kW)	Revolution per minute (r.p.m)	Rated current consumption (A)	Starting current consumption (A)	Cos φ	Cable cross-section (mm²)
400 V, 50 Hz (400/230V or 690/400V)									
24*	80.624	300	100	22	980	41	237,8; 73,8	0,85	16; 6
25*	80.625								
26*	80.626								
27*	80.627								



Type	DN	A	Bmin	C	D	E	F	G	H	I	J	K	L	M	Nmin	O	P	Q	R	S	T	DN1	DN2
	mm																						
KC-80.624 .625.626; 627	300/350	1250		1225	1765	785	194	500	500	135	434	3"	665	800	1600	1100		~1300	M20	115	M16	300	300