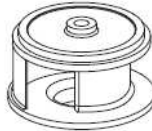
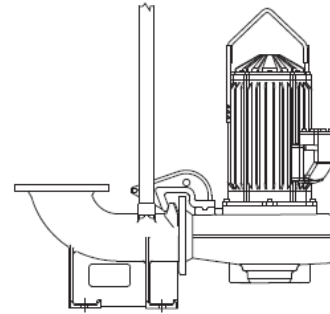


Impeller code	Type			Weight equipment (kg)
	Immersible	Portable	Dry	
62	●	●	●	230
63	●	●	●	
64	●	●	●	
65	●	●	●	
66	●	●	●	
67	●	●	●	
68	●	●	●	
69	●	●	●	

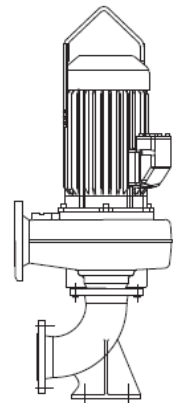
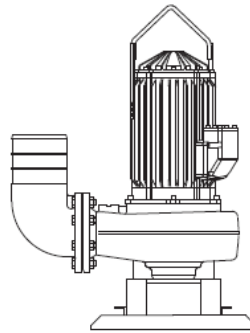


**Immersible**

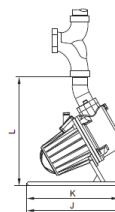
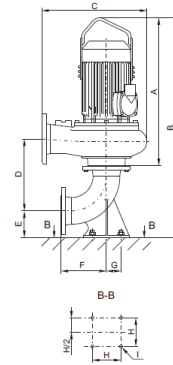
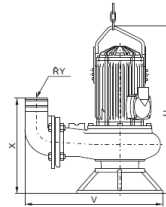
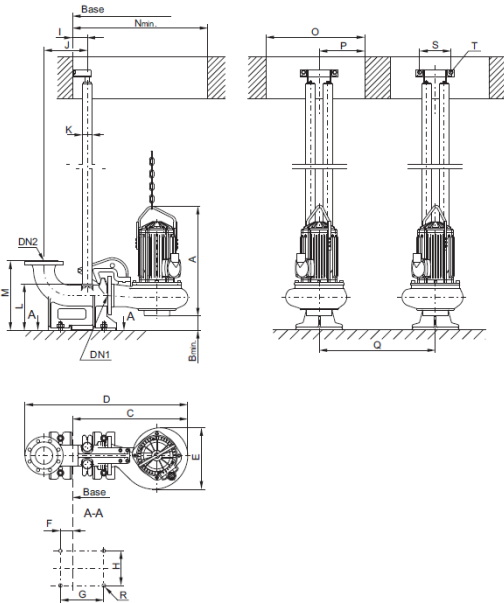


**Dry**

**Portable**



Impeller code	Type	Force pipe connection (DN)	Free flow cross-section (ø mm)	Rated power (kW)	Revolutions per minute (r.p.m)	Rated current consumption (A)	Starting current consumption (A)	Cos φ	Cable cross-section (mm²)			
400 V, 50 Hz (400/230V or 690/400V)												
62*	69.262	100 vagy 150	40	16	2930	31,3	219,1;67	0,92	10;4			
63*	69.263											
64*	69.264											
65*	69.265											
66*	69.266											
67*	69.267											
68*	69.268											
69*	69.269						11			21	126;37,8	4;2,5



Type	DN	A	C	D	E	F	G	H	I	J	K	L	M	Nmin	O	Q	R	S	T	DN1	DN2
	mm																				
<b>KC-69.262 .263 .264 .265 .266.267 .268 .269</b>	100/100	960	751	1025	435	69	250	200	85	249	2"	270	400	900	850	~1000	M20	195	M12	100	100
	100/150	960	751	1095	435	109	280	250	85	279	2"	365	450	900	850	~1000	M20	195	M12	100	150
<b>KC-69.262 .263 .264 .265 .266.267 .268 .269</b>	100/150/200	960	751	1145	435	139	280	250	85	309	2"	380	450	900	850	~1000	M20	195	M12	100	200
	100/200	960	751	1215	435	179	280	250	85	349	2"	460	450	900	850	~1000	M20	195	M12	100	200