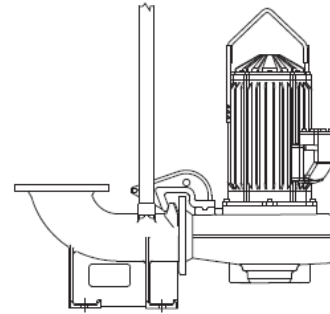


Impeller code	Type			Weight equipment (kg)
	Immersible	Portable	Dry	
30	○	○	●	230
31	●	●	○	
32	●	●	●	
34	●	●	●	
36	●	●	●	

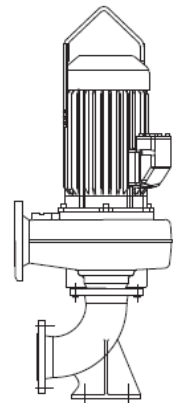
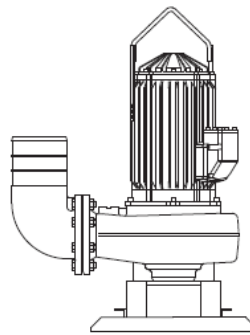


**Immersible**

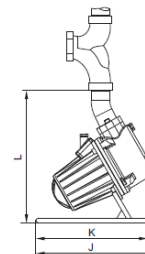
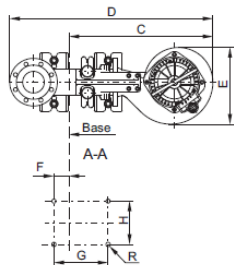
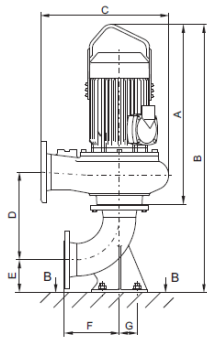
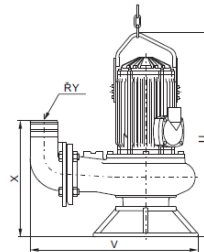
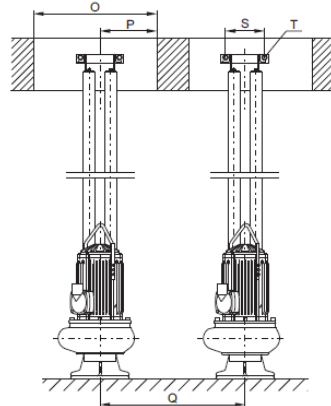
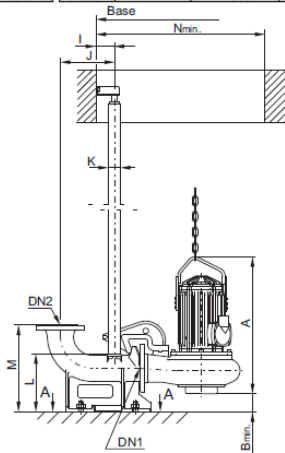


**Dry**

**Portable**



Impeller code	Type	Force pipe connection (DN)	Free flow cross-section (Ø mm)	Rated power (kW)	Revolutions per minute (r.p.m)	Rated current consumption (A)	Starting current consumption (A)	Cos φ	Cable cross-section (mm²)
400 V, 50 Hz (400/230V or 690/400V)									
30	61.430	150 vagy 200	100	15	1460	29	217,5;58	0,84	10;4
31	61.431			13		184;49			
32	62.432			9		153;2;41			
34	62.434			9		153;2;41			
36	62.436			93		153;2;41			



Type	DN	A	Bmin	C	D	E	F	G	H	I	J	K	L	M	Nmin	O	P	Q	R	S	T	DN1	DN2
	mm																						
KC-61.430 .431 KC-62.432 .434 .436	150/150	1000	60	771	1110	480	109	280	250	85	279	2"	365	450	900	850	330	~1000	M20	195	M12	150	150
		1000	60	771	1110	480	109	280	250	85	279	2"	365	450	900	850	330	~1000	M20	195	M12	150	150
		1000	60	771	1110	480	109	280	250	85	279	2"	365	450	900	850	330	~1000	M20	195	M12	150	150
KC-61.430 .431 KC-62.432 .434 .436	150/150/200	1000	60	771	1165	480	139	280	250	85	309	2"	380	450	900	850	330	~1000	M20	195	M12	150	200
		1000	60	771	1165	480	139	280	250	85	309	2"	380	450	900	850	330	~1000	M20	195	M12	150	200
		1000	60	771	1165	480	139	280	250	85	309	2"	380	450	900	850	330	~1000	M20	195	M12	150	200