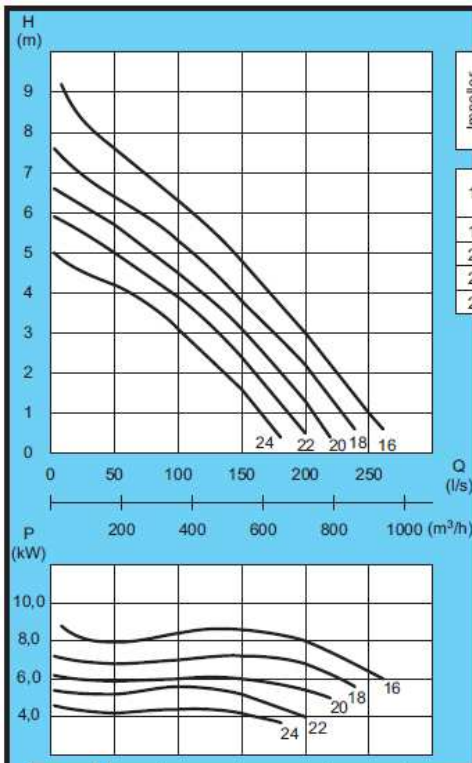


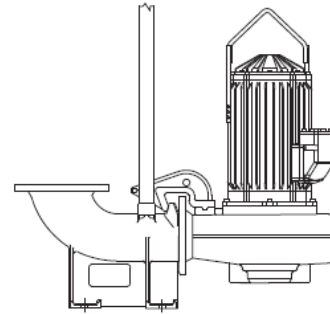
Maximal control - Minimal costs



Impeller code	Type			Weight equipment (kg)
	Immersible	Portable	Dry	
16*	●	○	○	246
18*	○	○	●	
20*	●	●	●	
22*	●	●	●	
24*	●	●	●	

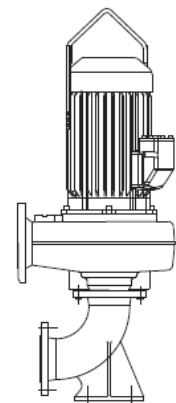
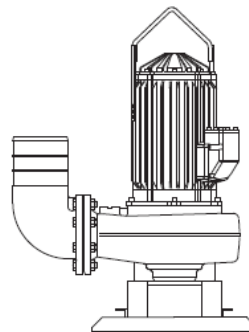


Immersible

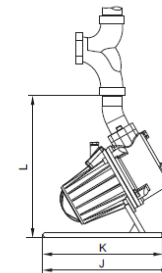
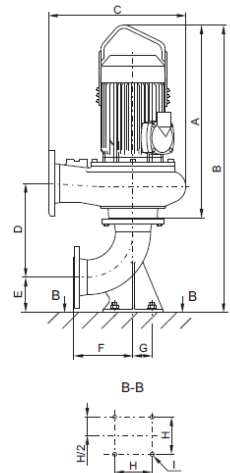
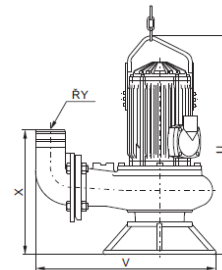
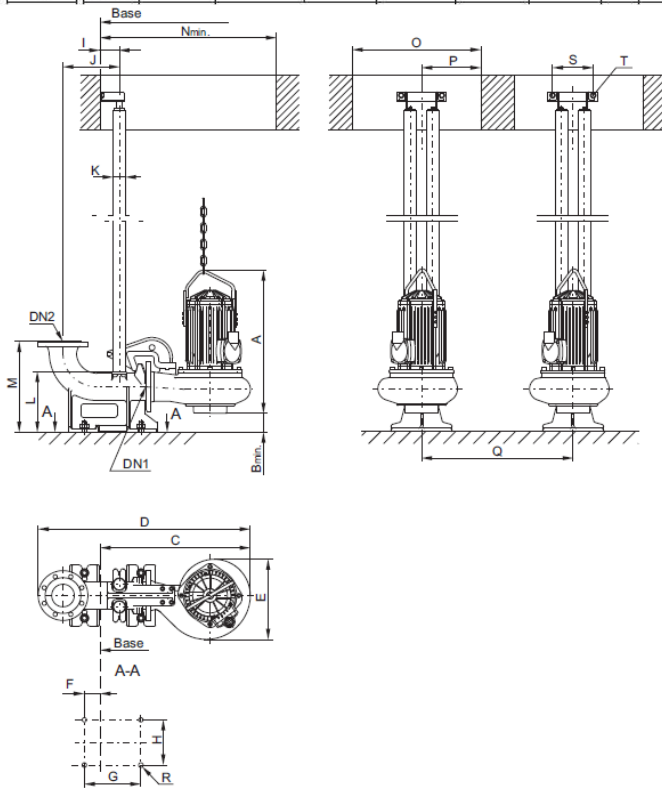


Dry

Portable



Impeller code	Type	Force pipe connection (DN)	Free flow cross-section (Ø mm)	Rated power (kW)	Revolution per minute (r.p.m)	Rated current consumption (A)	Starting current consumption (A)	Cos φ	Cable cross-section (mm²)
400 V, 50 Hz (400/230V or 690/400V)									
16*	60.616	300	102	9	970	21,5	118	0,78	6; 2,5
18*	60.618			11		24	137,5;43		
20*	60.620			7,5		16,6	99,6; 29,9	0,75	4; 2,5
22*	60.622								
24*	60.624								



Type	DN	A	Bmin	C	D	E	F	G	H	I	J	K	L	M	Nmin	O	P	Q	R	S	T	DN1	DN2
<b>KC-60.616</b>	<b>250/300</b>	<b>1100</b>		<b>964</b>	<b>1555</b>	<b>625</b>	<b>244</b>	<b>500</b>	<b>500</b>	<b>85</b>	<b>434</b>	<b>2"</b>	<b>675</b>	<b>800</b>	<b>1200</b>	<b>850</b>		<b>~1000</b>	<b>M24</b>	<b>195</b>	<b>M12</b>	<b>250</b>	<b>300</b>
<b>.618 .620</b>																							
<b>.622.624</b>																							