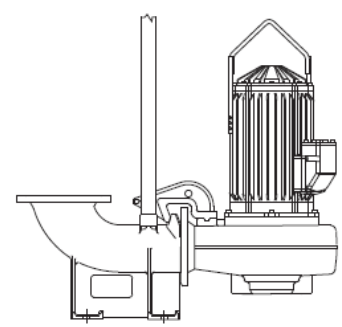


Impeller code	Type			Weight equipment (kg)
	Immersible	Portable	Dry	
50*	●	○	○	230
52*	○	○	○	
54*	○	○	○	
56*	○	○	○	

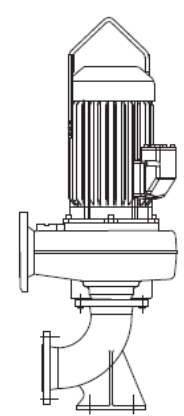
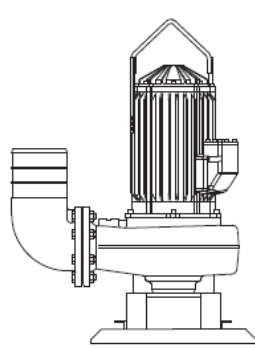


Immersible

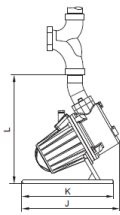
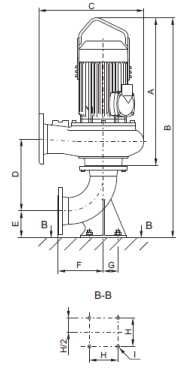
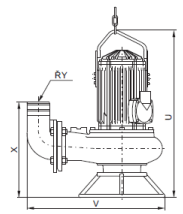
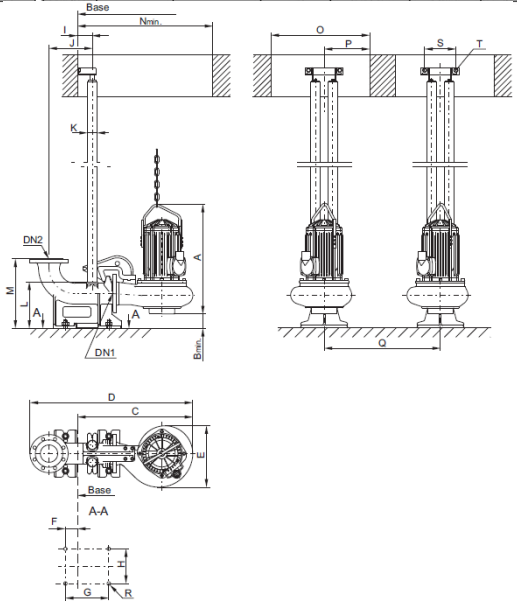


Dry

Portable



Impeller code	Type	Force pipe connection (DN)	Free flow cross-section (Ø mm)	Rated power (kW)	Revolutions per minute (r.p.m)	Rated current consumption (A)	Starting current consumption (A)	Cos φ	Cable cross-section (mm²)
400 V, 50 Hz (400/230V or 690/400V)									
50*	66.450	100 vazy 150	76	°13	1445	25	204,55	0,84	10;4
				15	1460	29	217,5;58		10;4
52*	67.452			°9	1445	17,2	130;48		4;2,5
				13	1445	25	204;55		10;4
54*	68.454			9	1445	17,2	130;48		4;2,5
56*	66.456			15	1460	29	217,5;58		10;4



Typ e	DN	A	C	D	E	F	G	H	I	J	K	L	M	Nmin	O	Q	R	S	T	DN1	DN2
	mm																				
KC-66.450 .454 .456 KC-67.452	100/100	960	751	1025	435	69	250	200	85	249	2"	270	400	900	850	~1000	M20	195	M12	100	100
	100/150	960	751	1095	435	109	280	250	85	279	2"	365	450	900	850	~1000	M20	195	M12	100	150
KC-66.450 .454 .456 KC-67.452	100/150/200	960	751	1145	435	139	280	250	85	309	2"	380	450	900	850	~1000	M20	195	M12	100	200
	150/150	960	756	1095	370	109	280	250	85	279	2"	365	450	900	850	~1000	M20	195	M12	150	150
KC-66.450 .454 .456 KC-67.452	150/150/200	960	756	1070	370	139	280	250	85	309	2"	380	450	900	850	~1000	M20	195	M12	150	200