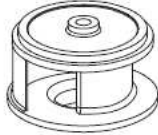
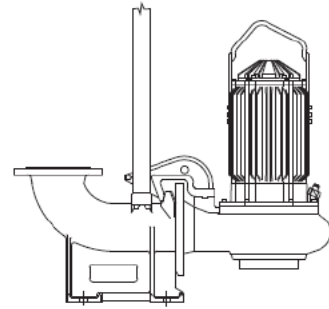


Impeller code	Type			Weight equipment (kg)
	Immersible	Portable	Dry	
50	●	●	●	155
53	●	●	○	
54	●	●	○	
55	●	●	○	
56	●	●	○	
57	●	●	○	
58	●	●	○	

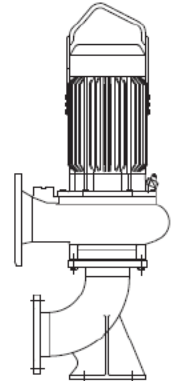
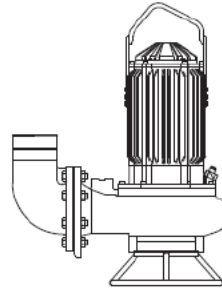


Immersible

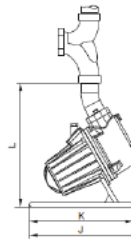
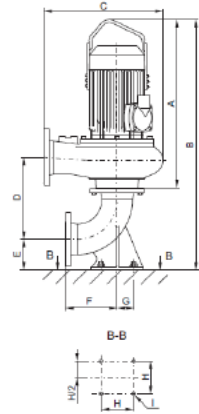
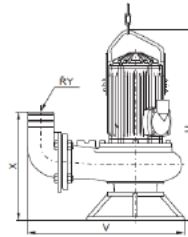
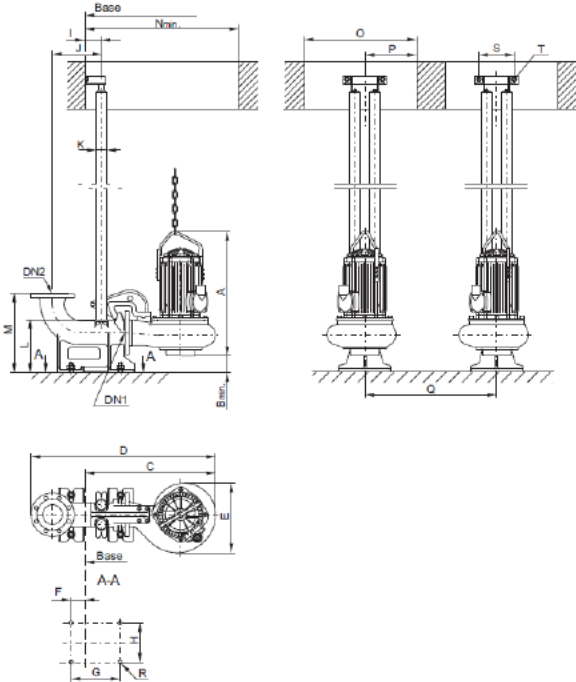


Dry

Portable



Impeller code	Type	Force pipe connection (DN)	Free flow cross-section (Ø mm)	Rated power (kW)	Revolution per minute (r.p.m)	Rated current consumption (A)	Starting current consumption (A)	Cos φ	Cable cross-section (mm²)	
400 V, 50 Hz (400/230V or 690/400V)										
50	46.250	80 vazy 100	58	7,5	2860	15	90;25,5	0,88	2,5	
53*	49.253			8,2	2830	16,5	102;27	0,84	4;2,5	
54*	49.254		40	58	7,5	2860	15	90;25,5	0,88	2,5
55*	49.255									
56*	49.256									
57*	49.257									
58*	49.258									



Type	DN	A	Bmin	C	D	E	F	G	H	I	J	K	L	M	Nmin	O	P	Q	R	S	T	DN1	DN2
	mm																						
KC-46.250 KC-49.253 .254 .255 .256.257 .258 .259	80	798		681	935	335	59	250	200	85	239	2"	260	400	750	570		~670	M16	195	M12	80	80
	80/100	798		681	955	335	69	250	200	85	249	2"	270	400	750	570		~670	M20	195	M12	80	100