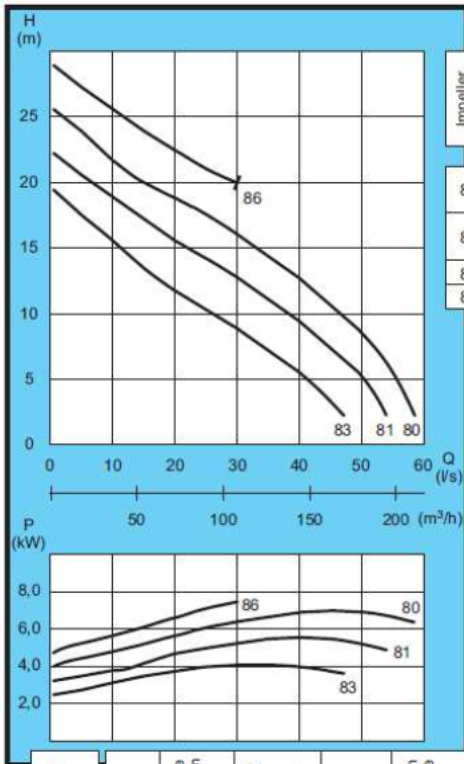


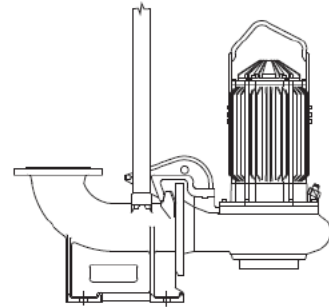
Maximal control - Minimal costs



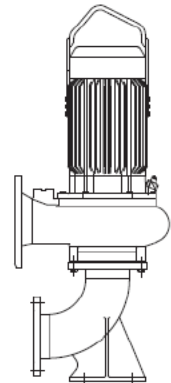
Impeller code	Type			Weight equipment (kg)
	Immersible	Portable	Dry	
80	●	○	○	155
81	○	○	●	
83	●	●	●	
86	●	●	●	



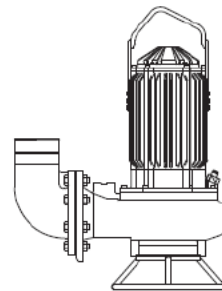
Immersible



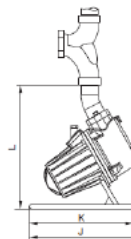
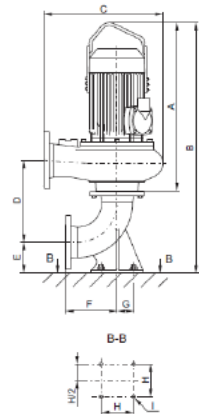
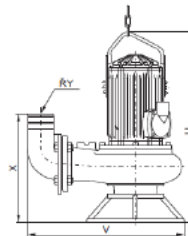
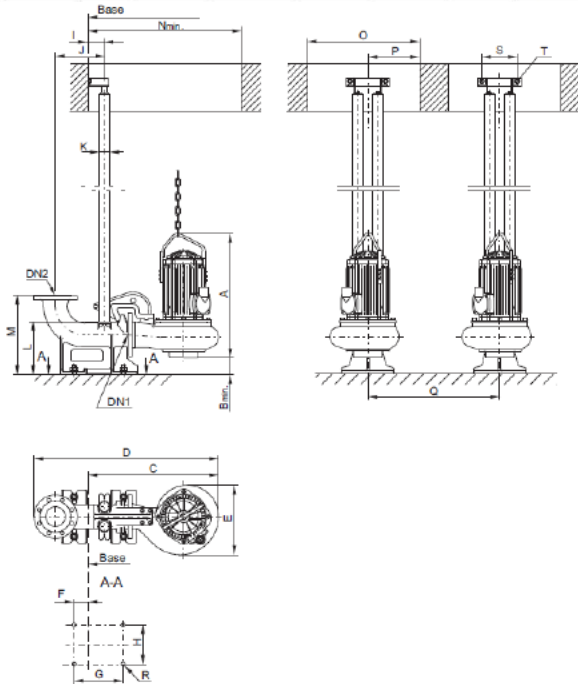
Dry



Portable



Impeller code	Type	Force pipe connection (DN)	Free flow cross-section (Ø mm)	Rated power (kW)	Revolution per minute (r.p.m)	Rated current consumption (A)	Starting current consumption (A)	Cos φ	Cable cross-section (mm²)
400 V, 50 Hz (400/230V or 690/400V)									
80*	47.480	100	76	5,5	1445	11,3	71,2; 19,2	0,82	2,5
				7,5	1450	15,2	98,8; 27,4		4,2,5
81*				5,5	1445	11,3	71,2; 19,2		2,5
				7,5	1450	15,2	98,8; 27,4		4,2,5
83*	40.483			5,5	1445	11,3	71,2; 19,2		2,5
86*	40.486			7,5	1450	15,2	98,8; 27,4		4,2,5



Type	DN	A	B _{min}	C	D	E	F	G	H	I	J	K	L	M	N _{min}	O	P	Q	R	S	T	DN1	DN2	
																								mm
KC-47.480 -481 KC- 40.483-486	100/100	817		720	995	443	69	250	200	85	249	2"	270	400	780	570			~670	M20	195	M12	100	100
KC-47.480 -481 KC- 40.483-486	100/150/150	817		720	1060	443	109	280	250	85	279	2"	365	450	780	570			~670	M20	195	M12	100	150
KC-47.480 -481 KC- 40.483-486	100/150/200	817		720	1115	443	139	280	250	85	309	2"	380	450	780	570			~670	M20	195	M12	100	200