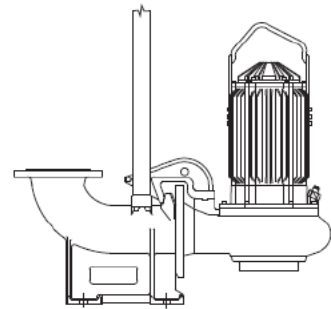
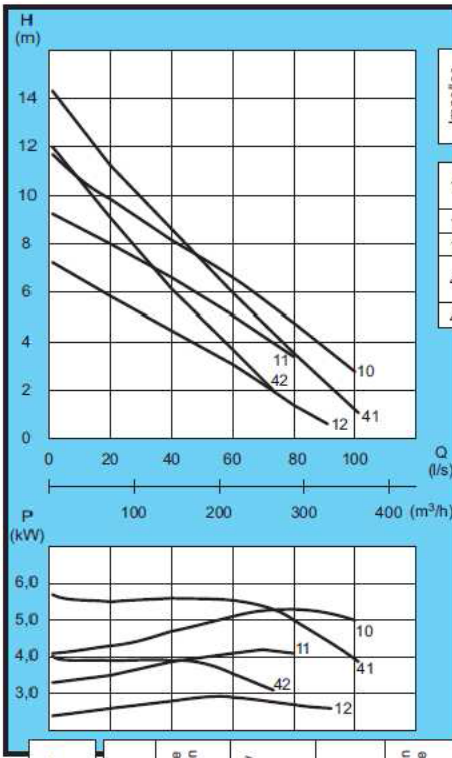
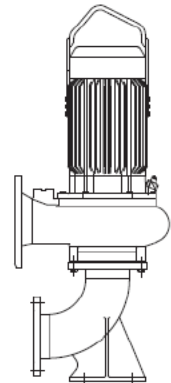
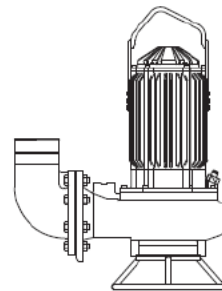


### Immersible



### Dry

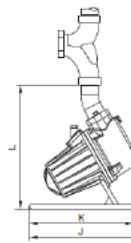
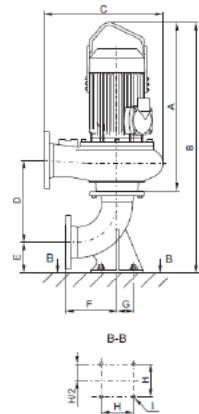
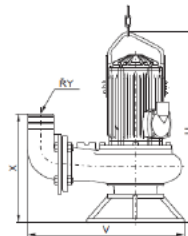
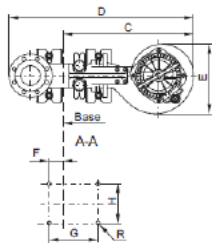
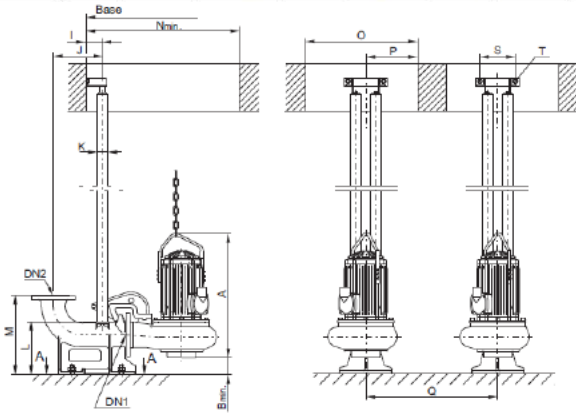
### Portable



Impeller code	Type			Weight equipment (kg)
	Immersible	Portable	Dry	
10*	●	○	●	173
11*	●	○	●	
12*	●	○	●	
41*	○	○	●	
42*	●	●	●	



Impeller code	Type	Force pipe connection (DN)	Free flow cross-section (Ø mm)	Rated power (kW)	Revolution per minute (r.p.m)	Rated current consumption (A)	Starting current consumption (A)	Cos φ	Cable cross-section (mm <sup>2</sup> )
400 V, 50 Hz (400/230V or 690/400V)									
10*	40.410	150 vazy 200	76	5,5	1445	11,3	71,2;19,2	0,82	2,5
				7,5	1450	15,2	98,8;27,4		4;2,5
11*	40.411			5,5	1445	11,3	71,2;19,2	0,82	2,5
12*	40.412								
41*	40.441		107	7,5	1450	15,2	98,8;27,4		4;2,5
42*	40.442		76	5,5	1445	11,3	71,2;19,2		2,5



Type	DN	A	Bmin	C	D	E	F	G	H	I	J	K	L	M	Nmin	O	P	Q	R	S	T	DN1	DN2
mm																							
KC-40.410 .411 .412 .441. 442	150	857		766	1105	430	109	280	250	85	279	2"	365	450	780	570		~670	M20	195	M12	150	150
	150/150/200	857		766	1160	430	139	280	250	85	309	2"	380	450	780	570		~670	M20	195	M12	150	200