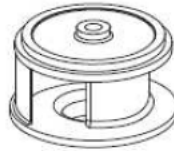
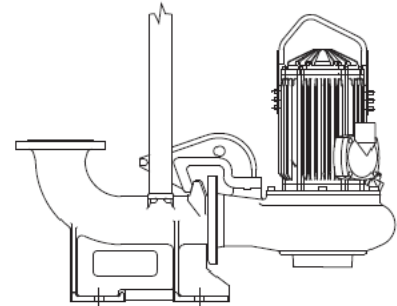


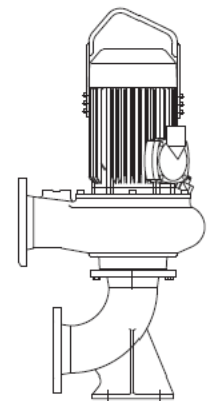
Impeller code	Type			Weight equipment (kg)
	Immersible	Portable	Dry	
52	•	•	•	85
54	•	•	•	



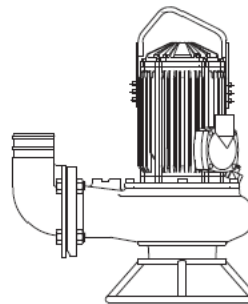
Immersible



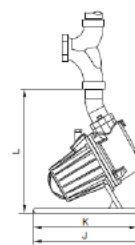
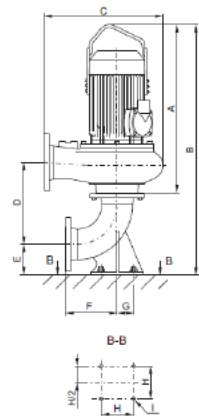
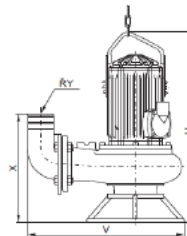
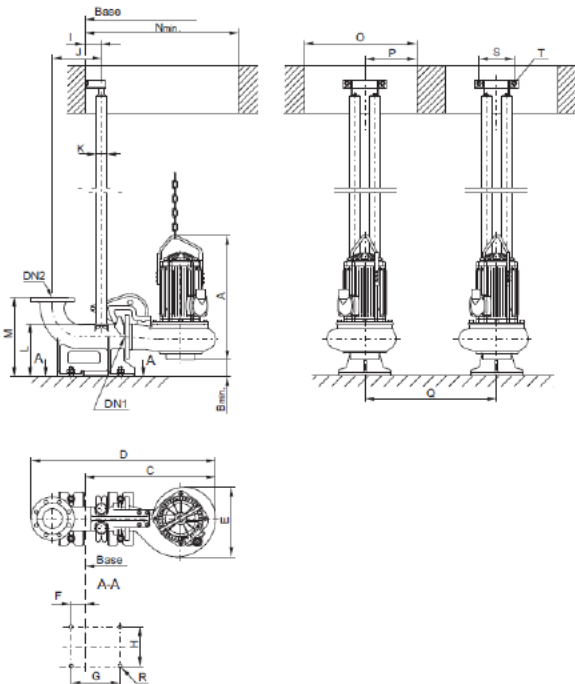
Dry



Portable



Impeller code	Type	Force pipe connection (DN)	Free flow cross-section (Ø mm)	Rated power (kW)	Revolution per minute (r.p.m)	Rated current consumption (A)	Starting current consumption (A)	Cos φ	Cable cross-section (mm²)
400 V, 50 Hz (400/230V or 690/400V)									
52	26.252	80 vagy 100	51	4,0	2890	8	54,4	0,9	1,5
54	27.254	100							



Type	DN	A	Bmin	C	D	E	F	G	H	I	J	K	L	M	Nmin	O	P	Q	R	S	T	DN1	DN2
	mm																						
KC-26.252 27.254; 29.258	80	628		626	880	290	59	250	200	85	239	2"	260	400	750	570		~670	M16	195	M12	80	80
KC-26.252 27.254; 29.258	80/100	628		626	900	290	69	250	200	85	249	2"	270	400	750	570		~670	M16	195	M12	80	100