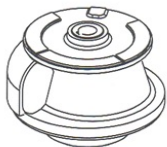
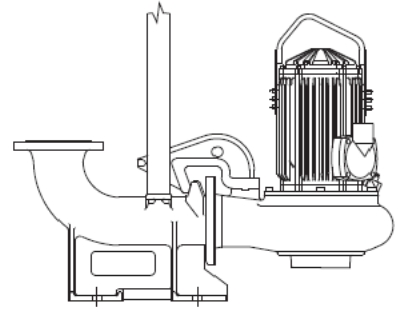


Impeller code	Type			Weight equipment (kg)
	Immersible	Portable	Dry	
30	●	○	○	92
32	●	○	○	
33	●	○	○	
35	●	○	○	
36	●	○	○	

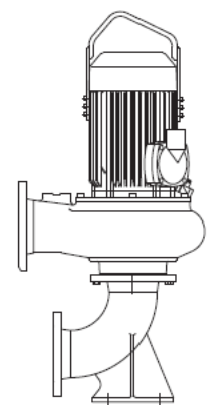
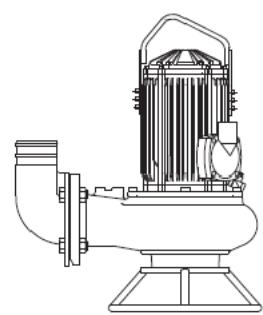


**Immersible**

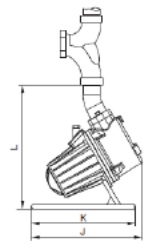
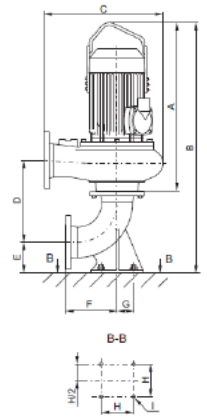
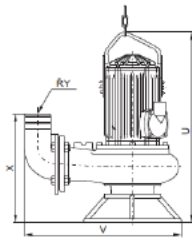
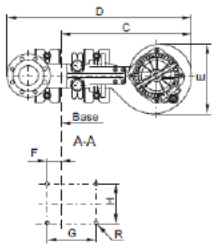
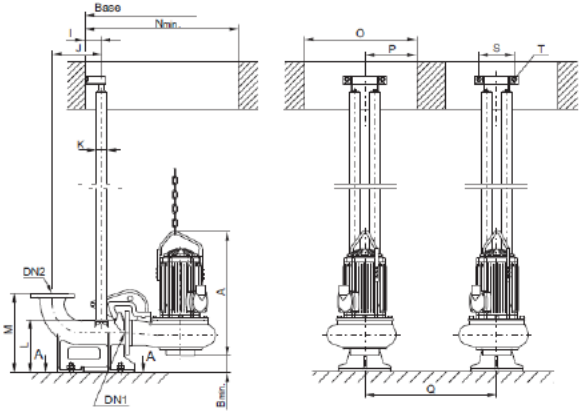


**Dry**

**Portable**



Impeller code	Type	Force pipe connection (DN)	Free flow cross-section (Ø mm)	Rated power (kW)	Revolution per minute (r.p.m)	Rated current consumption (A)	Starting current consumption (A)	Cos φ	Cable cross-section (mm²)
400 V, 50 Hz (400/230V or 690/400V)									
30	21.430	100 or 150	76	3,0	1405	6,8	37,4	0,80	1,5
32				4,0	1430	8,6	53,3	0,81	
33	22.433			2,2	1415	5,3	28,1	0,78	
35	21.435			3,0	1405	6,8	37,4	0,80	
36	21.436			4,0	1430	8,6	53,3	0,81	



Type	DN	A	Bmin	C	D	E	F	G	H	I	J	K	L	M	Nmin	O	P	Q	R	S	T	DN1	DN2	
																								mm
KC-21.430-436 KC-22.432-433	100	633		666	940	355	69	250	200	85	249	2"	270	400	780	570			~670	M20	195	M12	100	100
KC-21.430-436 KC-22.432-433	100/150	633		666	1005	355	109	280	250	85	279	2"	365	450	780	570			~670	M20	195	M12	100	150
KC-21.430-436 KC-22.432-433	100/200	633		666	1060	355	139	280	250	85	309	2"	380	450	780	570			~670	M20	195	M12	100	200