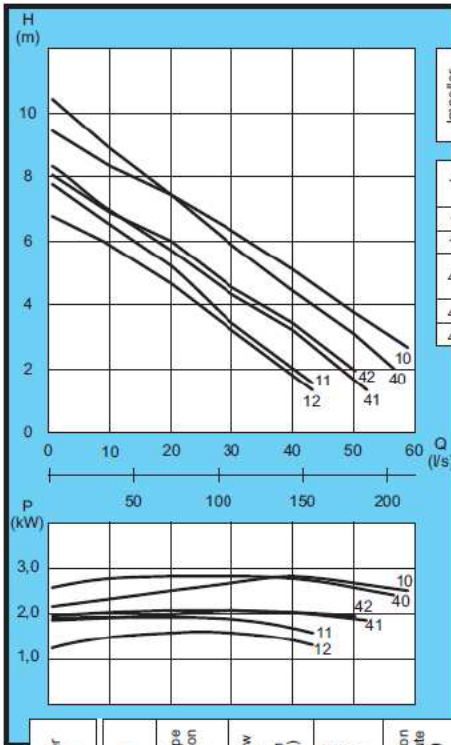


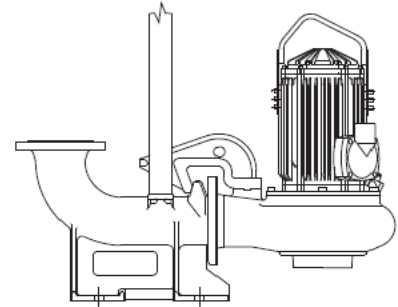
Maximal control - Minimal costs



Impeller code	Type				Weight equipment (kg)
	Immersible	S	Portable	Dry	
10*	●	○	○	○	97
11*	●	○	○	○	
12*	●	○	○	○	
40*	●	○	○	○	
41*	●	○	○	○	
42*	●	○	○	○	

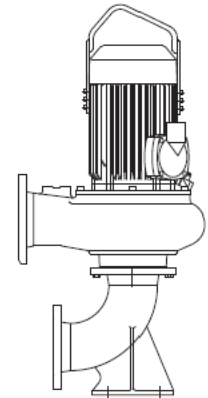
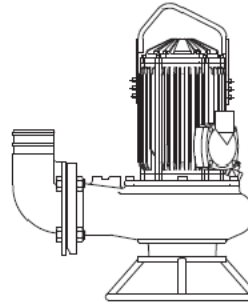


Immersible

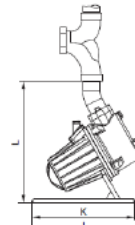
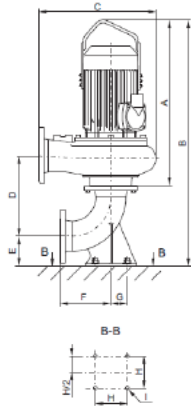
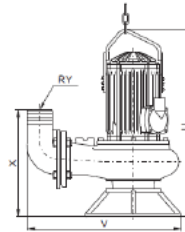
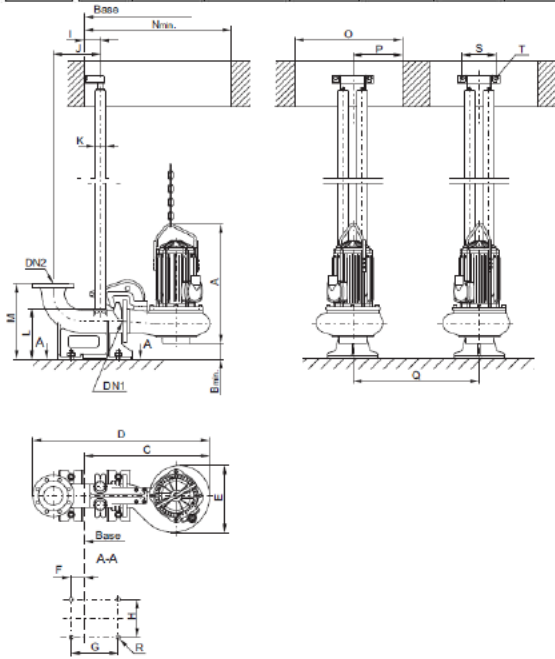


Dry

Portable



Impeller code	Type	Force pipe connection (DN)	Free flow cross-section (Ø mm)	Rated power (kW)	Revolutions per minute (r.p.m)	Rated current consumption (A)	Starting current consumption (A)	Cos φ	Cable cross-section (mm ²)	
400 V, 50 Hz (400/230V or 690/400V)										
10*	20.410	100 vagy 150	55	3,0	1440	6,8	37,4	0,82	1,5	
11*	20.411			4,0	1435	8,6	53,3	0,83		
12*	20.412		54	3,0	1440	6,8	37,4	0,82		
40*	20.440		100	100	4,0	1435	8,8	53,3		0,83
41*	20.441				3,0	1440	6,8	37,4		0,82
42*	20.442			55	3,0	1440	6,8	37,4		0,82
					4,0	1435	8,6	53,3	0,83	



Type	DN	A	Bmin	C	D	E	F	G	H	I	J	K	L	M	Nmin	O	P	Q	R	S	T	DN1	DN2
	mm																						
KC-20.410 .411 .412 .440.441 .442	100/100	643		676	950	370	69	250	200	85	249	2"	270	400	780	570		~670	M20	195	M12	100	100
KC-20.410 .411 .412 .440.441 .442	100/150	643		676	1015	370	109	280	250	85	279	2"	365	450	780	570		~670	M20	195	M12	100	150
KC-20.410 .411 .412 .440.441 .442	100/200	643		676	1070	370	139	280	250	85	309	2"	380	450	780	570		~670	M20	195	M12	100	200
KC-20.410 .411 .412 .440.441 .442	150/200	648		676	1070	370	139	280	250	85	309	2"	380	450	780	570		~670	M20	195	M12	150	200
KC-20.410 .411 .412 .440.441 .442	150/150	648		676	1015	370	109	280	250	85	279	2"	365	450	780	570		~670	M20	195	M12	150	150