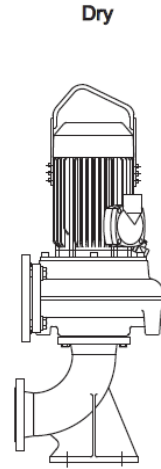
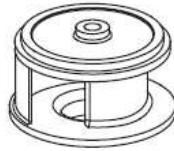
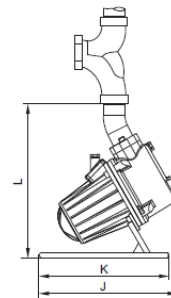
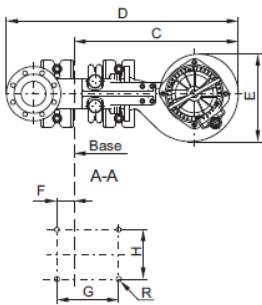
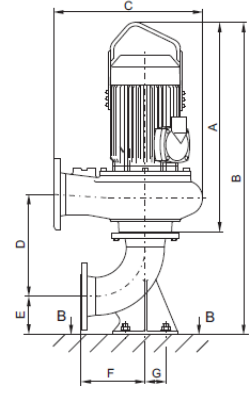
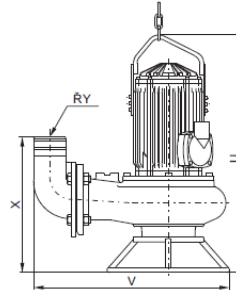
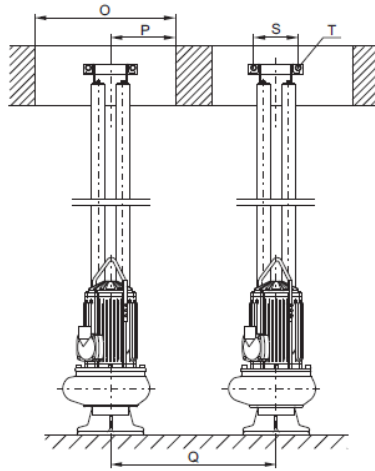
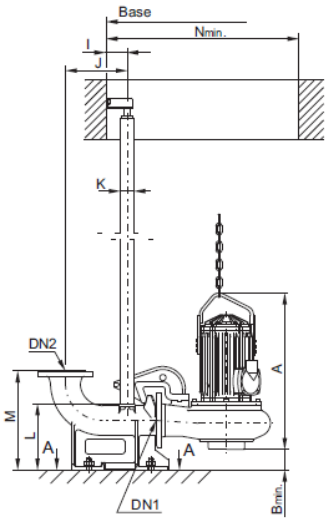


Impeller code	Type		Weight equipment (kg)
	Immersible	Portable	
50		•	66
52		•	
54		•	



Impeller code	Type	Force pipe connection (DN)	Free flow cross-section (∅mm)	Rated power (kW)	Revolution per minute (r.p.m)	Rated current consumption (A)	Starting current consumption (A)	Cos φ	Cable cross-section (mm²)
400 V, 50 Hz (400/230V)									
50	20.250	80	43	3,0	2830	6	39	0,9	1,5
52	20.252								
54	20.254								



Type	DN	A	Bmin	C	D	E	F	G	H	I	J	K	L	M	Nmin	O	P	Q	R	S	T	DN1	DN2
	mm																						
KC-20.250 ; 252; 254	80	628		626	880	290	59	250	200	85	239	2"	260	400	750	570		~670	M16	195	M12	80	80