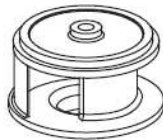
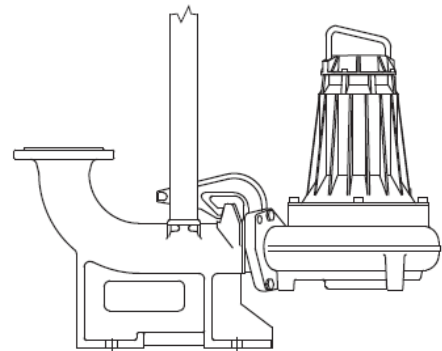


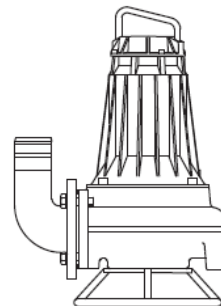
Impeller code	Type			Weight equipment (kg)
	Immersible	Portable	Dry	
20*	●	●		66
21*	●	●		
32	●	●		
34	●	●		
36	●	●		



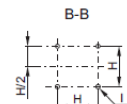
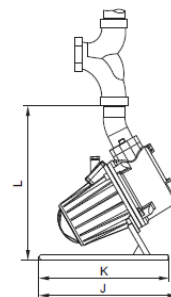
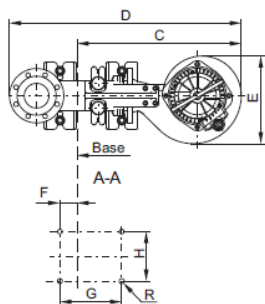
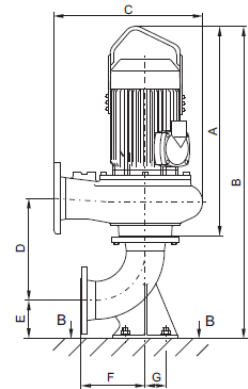
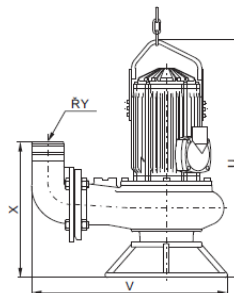
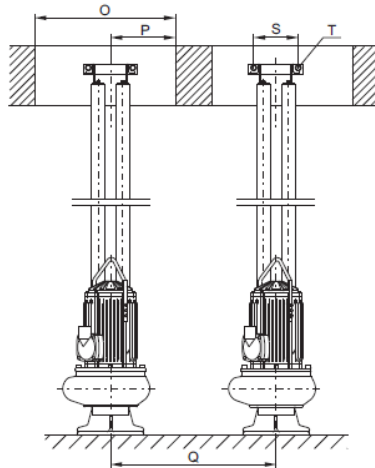
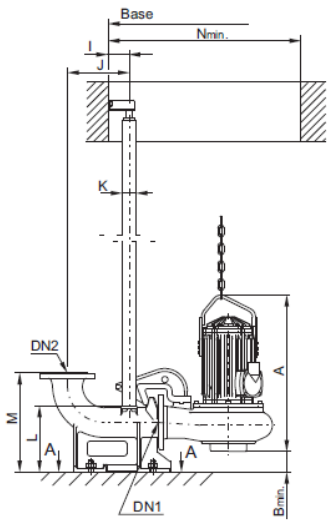
Immersible



Portable



Impeller code	Type	Force pipe connection (DN)	Free flow cross-section (Ø mm)	Rated power (kW)	Revolutions per minute (r.p.m)	Rated current consumption (A)	Starting current consumption (A)	Cos φ	Cable cross-section (mm ²)
400 V, 50 Hz (400/230V)									
20*	08.620	100	100	1,1	940	3,5	11,9	0,70	1,5
21*	08.621								
32	08.632	80	76	0,8	930	2,5	8	0,73	
34	08.634								
36	08.636								



Type	DN	A	Bmin	C	D	E	F	G	H	I	J	K	L	M	Nmin	O	P	Q	R	S	T	DN1	DN2
	mm																						
KC-08.620; .621	100	560		650	920	315	69	250	200	85	249	2"	270	400	700	570		~670	M20	195	M12	100	100
KC-08.632; .634; .636	80	535		595	845	315	59	250	200	85	239	2"	260	400	700	570		~670	M16	195	M12	80	80