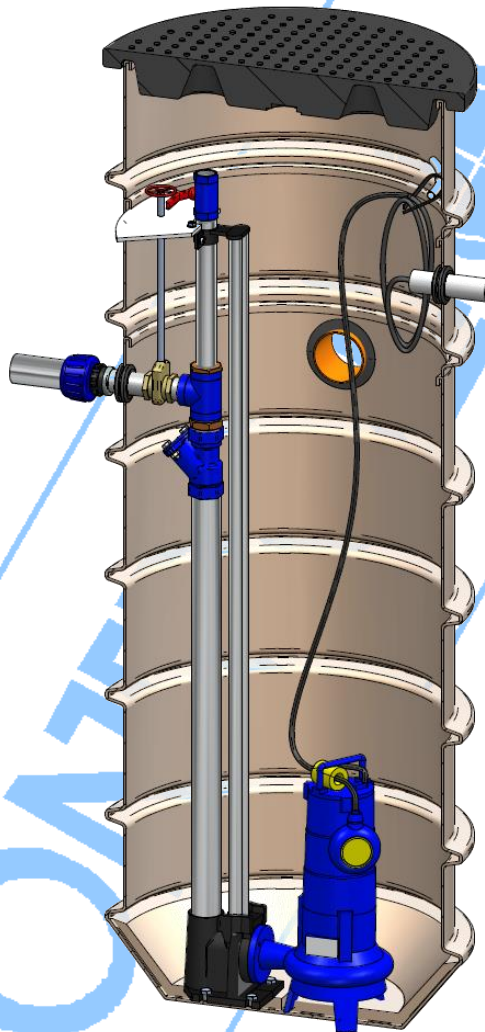


## HIDRO H

### Standard pumping stations

*Sewage pumping stations of machine shredder,  
automatic-fix construction*

**HD-NT technology**



In the pumping stations of automatic-fix construction of system HD-NT, the lumpy sewage is conveyed with shredding in the way that the raw sewage is passed between the standing and rotating blades placed in front of the pump suction opening. The blades shred the bigger lumpy materials, so a bigger lifting height can be achieved with hydraulics of smaller free passage without increasing the power considerably.

During the operation of the pumping station, you should hinder the inlet of the materials damaging the shredder unit (e.g.: razor blade, stockings, sand, etc ...), which could make the pump break down.

The main advantages of the system HD are the following: bigger lifting height can be achieved, so bigger geodetic level differences and bigger distances can be canalized with the given power draw.

**MEDIKER KFT**

